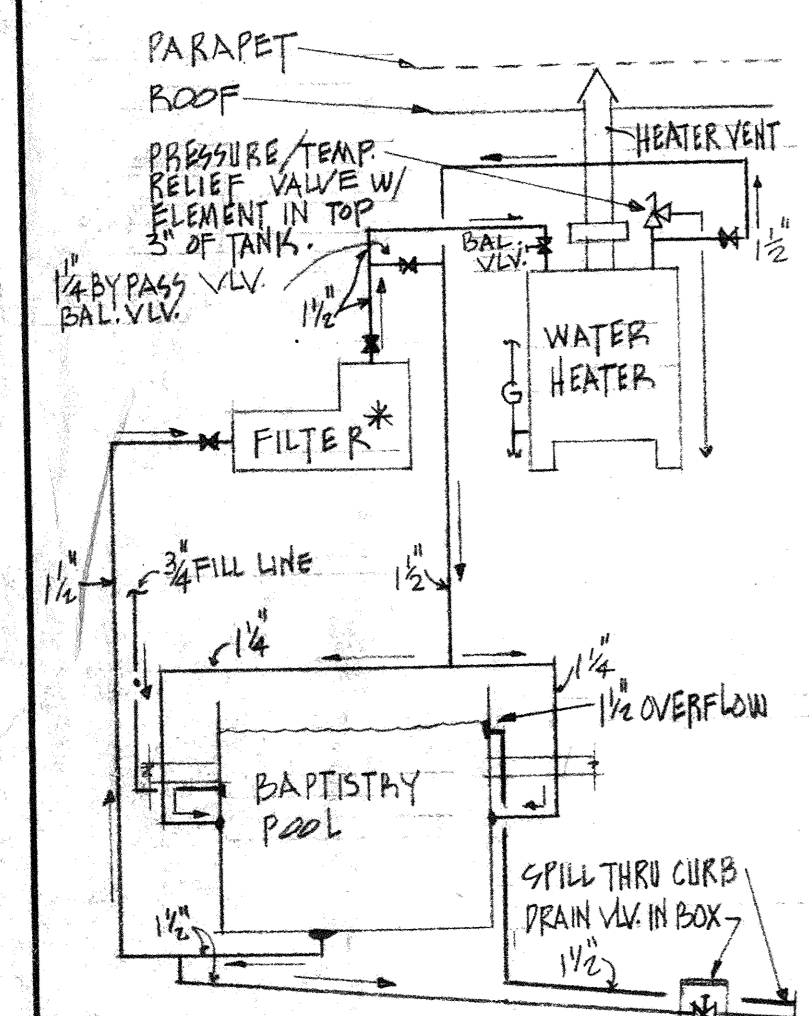
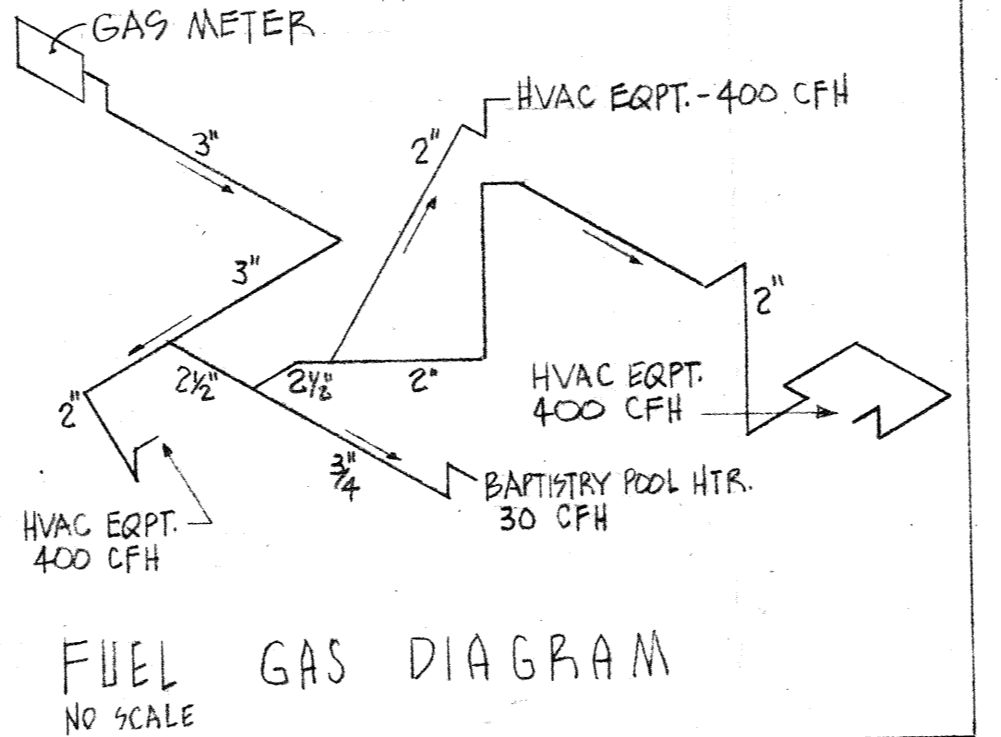


FIXTURE SCHEDULE		REMARKS	
WATER CLOSET	WC-1 1/4" - 4" 2" INT	1	FLUSH VALVE
WATER CLOSET	WC-2 1/4" - 4" 2" INT	1	HANDICAPPED
URINAL	UR-1 1" - 2" 1/2" INT	3/4	FLUSH VALVE
LAVATORY	L-1 1/2" x 1/2" x 1/2" x 1/2"	1	
SERVICE SINK	SS-1 3/4" x 3" x 2" x 3"	1	3" TRAP STANDARD
DRINKING FOUNTAIN	DF 1/2" x 1/2" x 1/2" x 1/2"	1	
FLOOR DRAIN	FD-1 2" x 2" x 2"	1	
FLOOR SINK	FS-1 2" x 2" x 2"	1	
HOSE BIBB	HB-1 3/4" x 1/2" x 1/2" x 2"	1	
CLASS ROOM SINK	CS-1 1/2" x 1/2" x 1/2" x 2"	1	

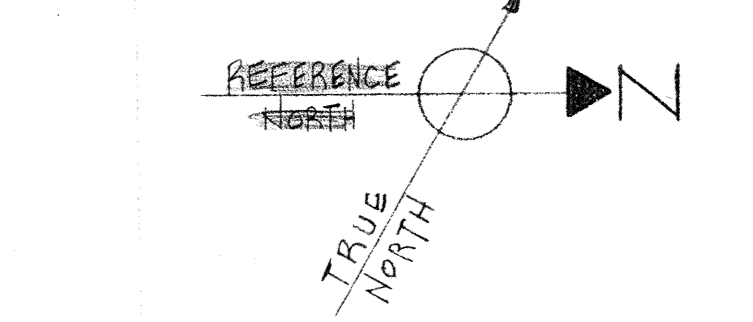
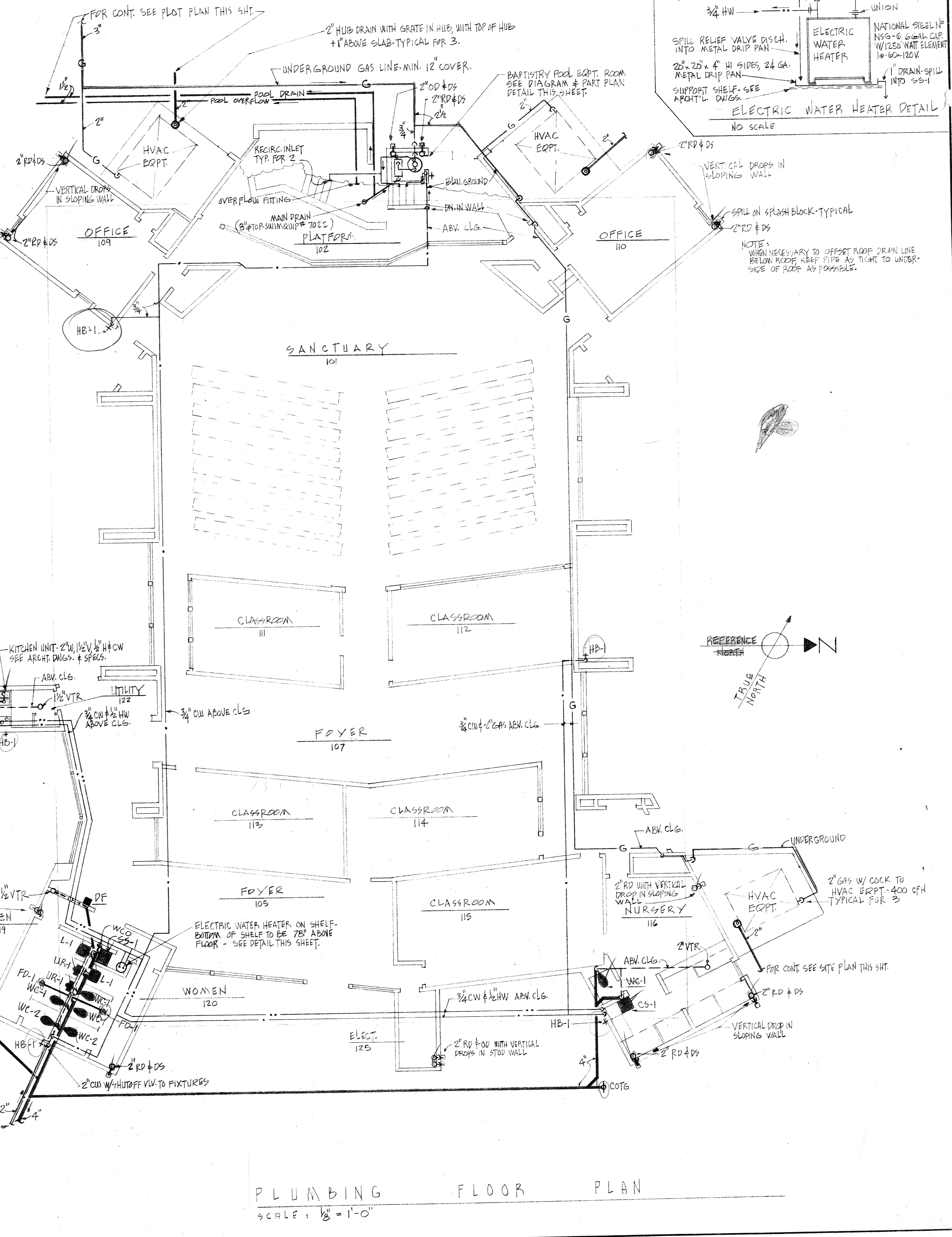
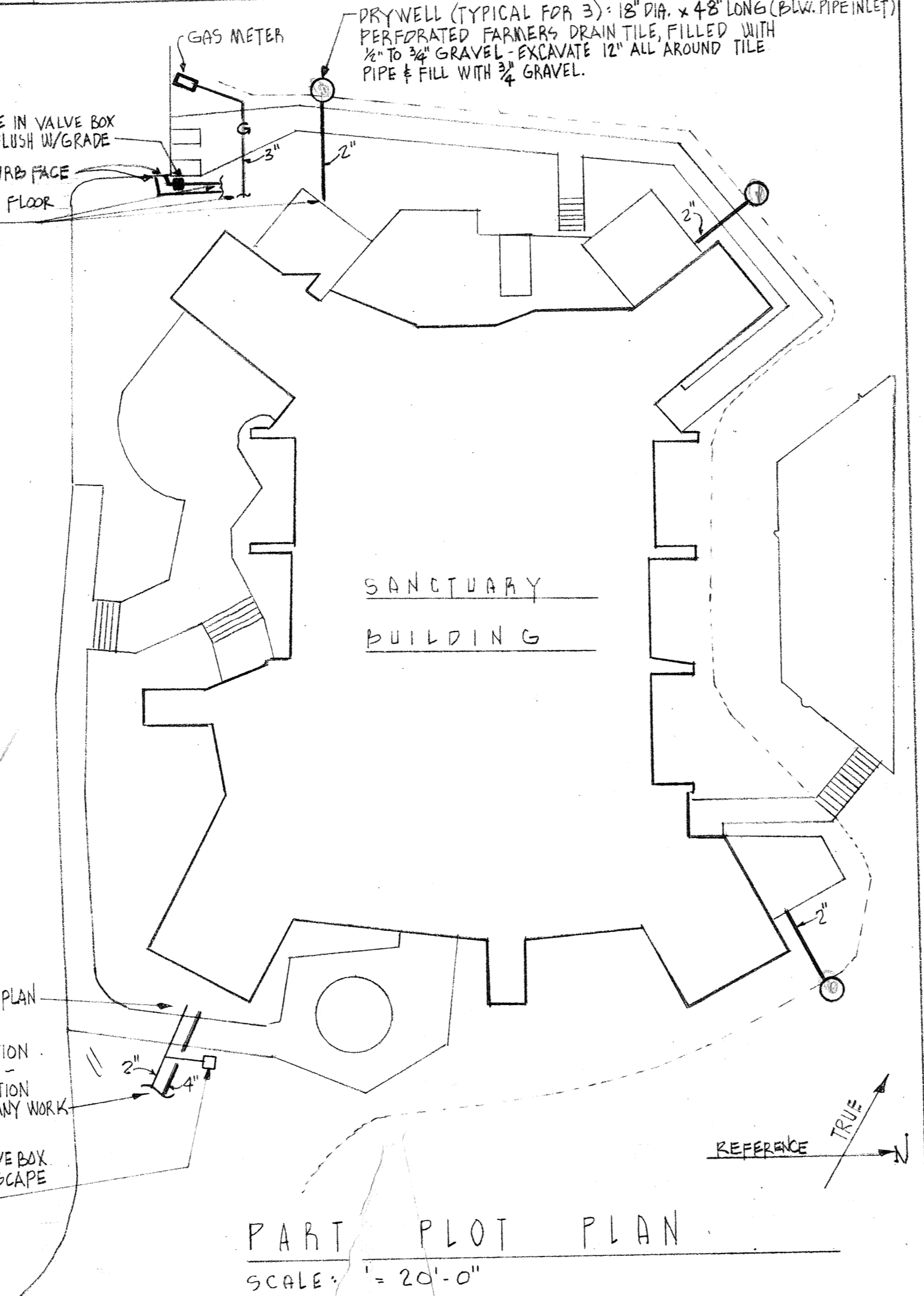


LEGEND		
---	WASTE	W
---	VENT	V
---	COLD WATER	
---	HOT WATER	
---	GAS	G
---	CLEANOUT TO GRADE	COTG
---	VENT THRU ROOF	VTR

UTILITY BLOCK		
WASTE	WATER	GAS
PRESSURE AVAILABLE	70 PSI	
FIXTURE UNITS	58	103
GALS. PER MINUTE	60	
SPACE HEATING		1200 CFH
BAPTISTAY POOL HEATING		30
TOTAL GAS DEMAND		1230 CFH



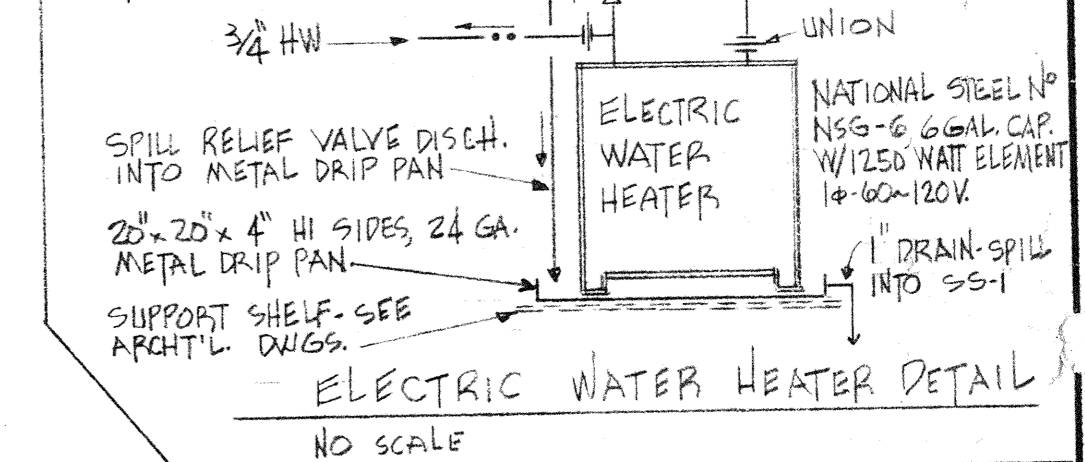
- GENERAL NOTES
1. ALL WORK SHALL CONFORM TO ALL CODES & REGULATIONS HAVING JURISDICTION
 2. ALL CLEANOUTS SHALL BE MADE ACCESSIBLE
 3. BEFORE BEGINNING ANY WORK, VERIFY ALL UTILITIES, POINTS OF CONNECTIONS, METER LOCATIONS, ETC.
 4. INSULATE WHITE PIPING BELOW LAVS.



HILLCREST DRIVE
QUINTA VISTA DRIVE

30' All around + sidewalk
4" - 24" down
2" - 160 water

9 01
0.30



EUGENE MANDEL
CONSULTING ENGINEERS
5775 KELVIN AVENUE
WOODLAND HILLS, CALIFORNIA 91367

LA S A L A and S Q U I R E A I A
A R C H I T E C T S
5441 TOPANGA CANYON BLVD WOODLAND HILLS CALIFORNIA 91367
348.0683

PLUMBING SCHEDULES
PLANS, DETAILS, SCHEDULES
CONJO VALLEY CHURCH OF CHRIST
SANCTUARY BUILDING
P.O. BOX 726 • THOUSAND OAKS, CALIFORNIA 91320