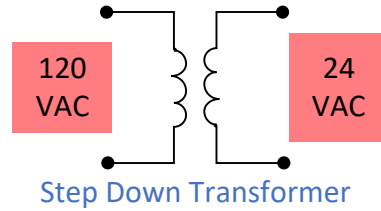
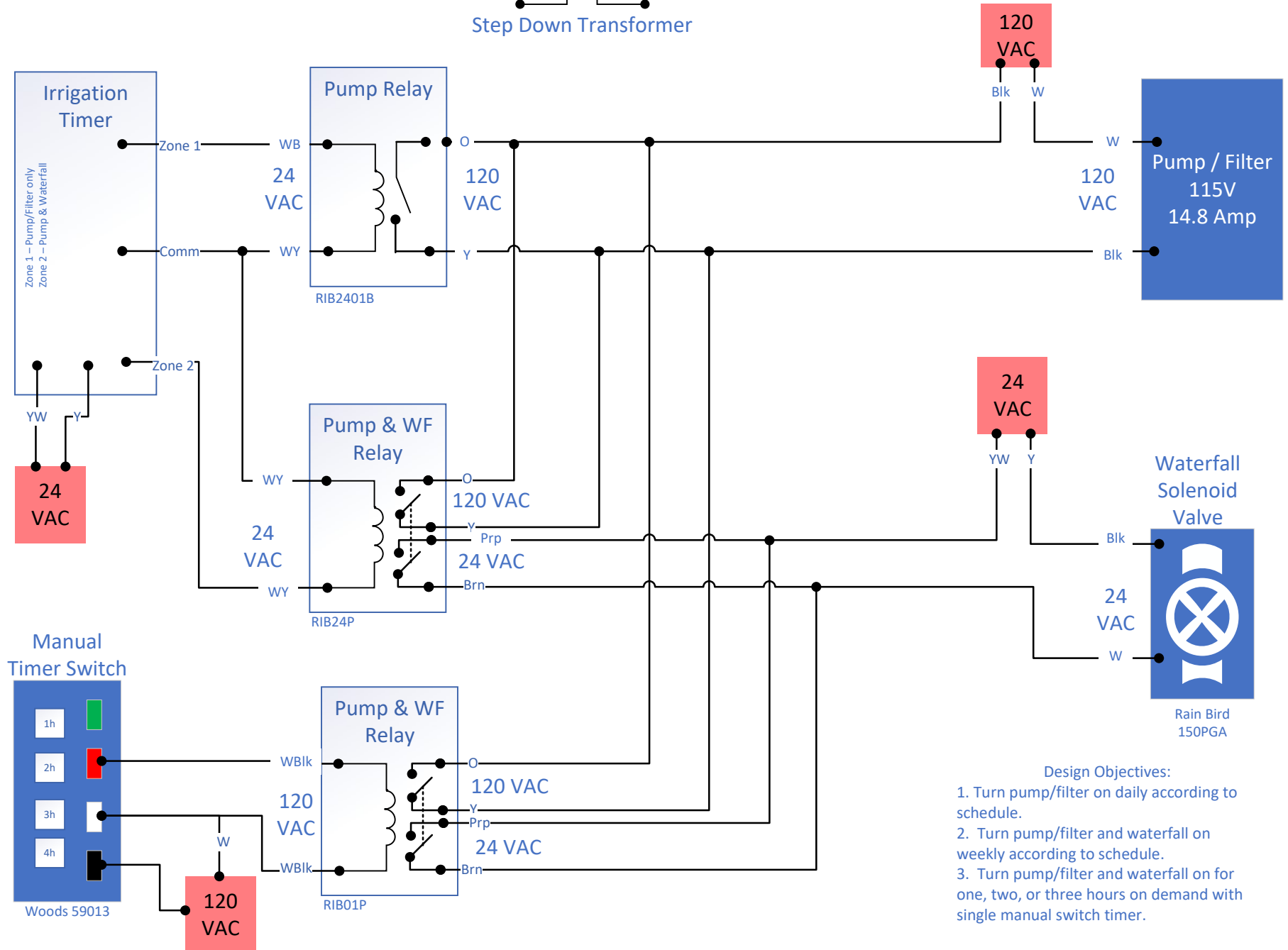


CVCC Baptistry

Waterfall & Pump
Control System
September, 2019



Step down transformer uses the source 120 VAC to provide 24 VAC to be used by the irrigation timer and other low voltage devices.



- Design Objectives:
1. Turn pump/filter on daily according to schedule.
 2. Turn pump/filter and waterfall on weekly according to schedule.
 3. Turn pump/filter and waterfall on for one, two, or three hours on demand with single manual switch timer.