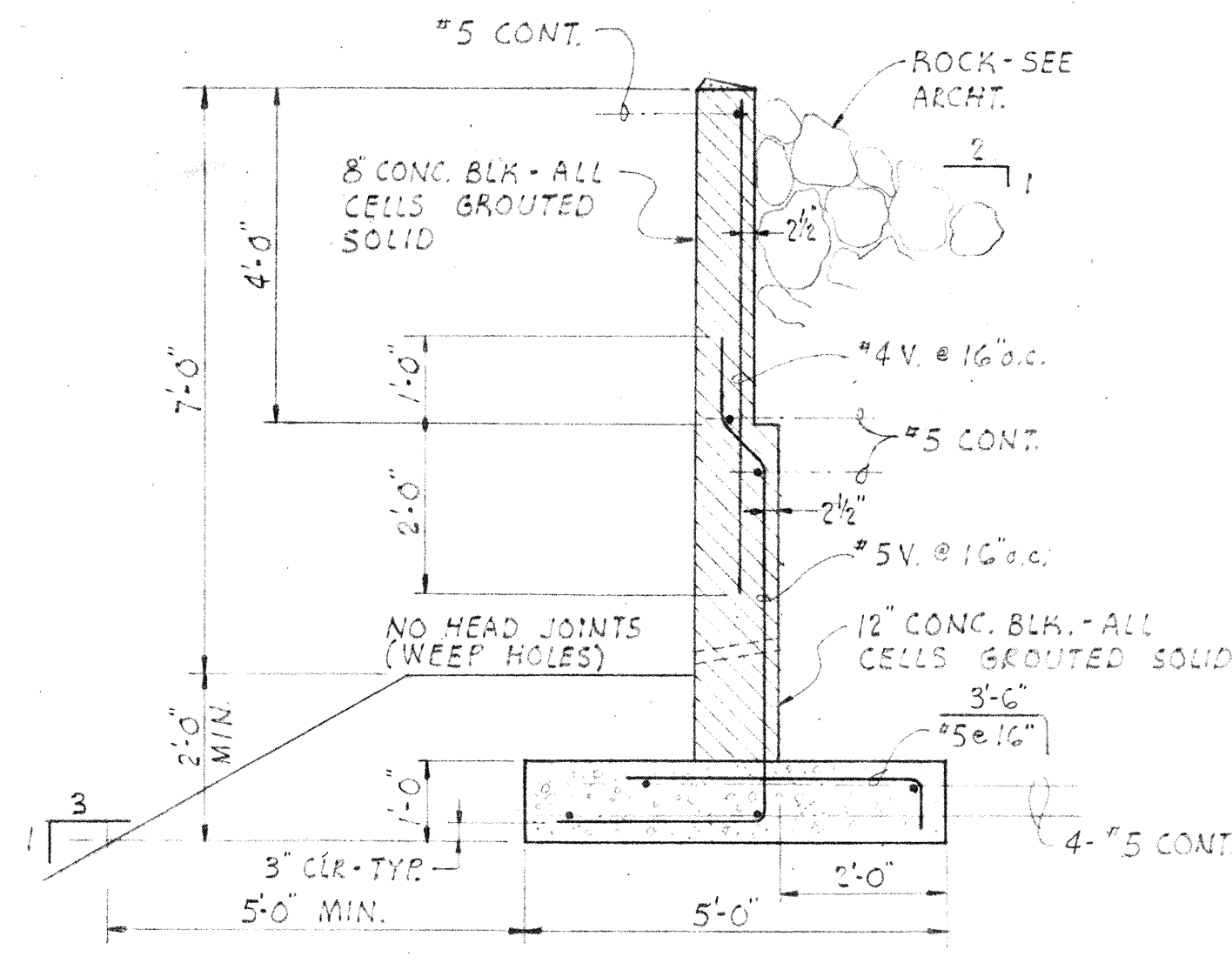
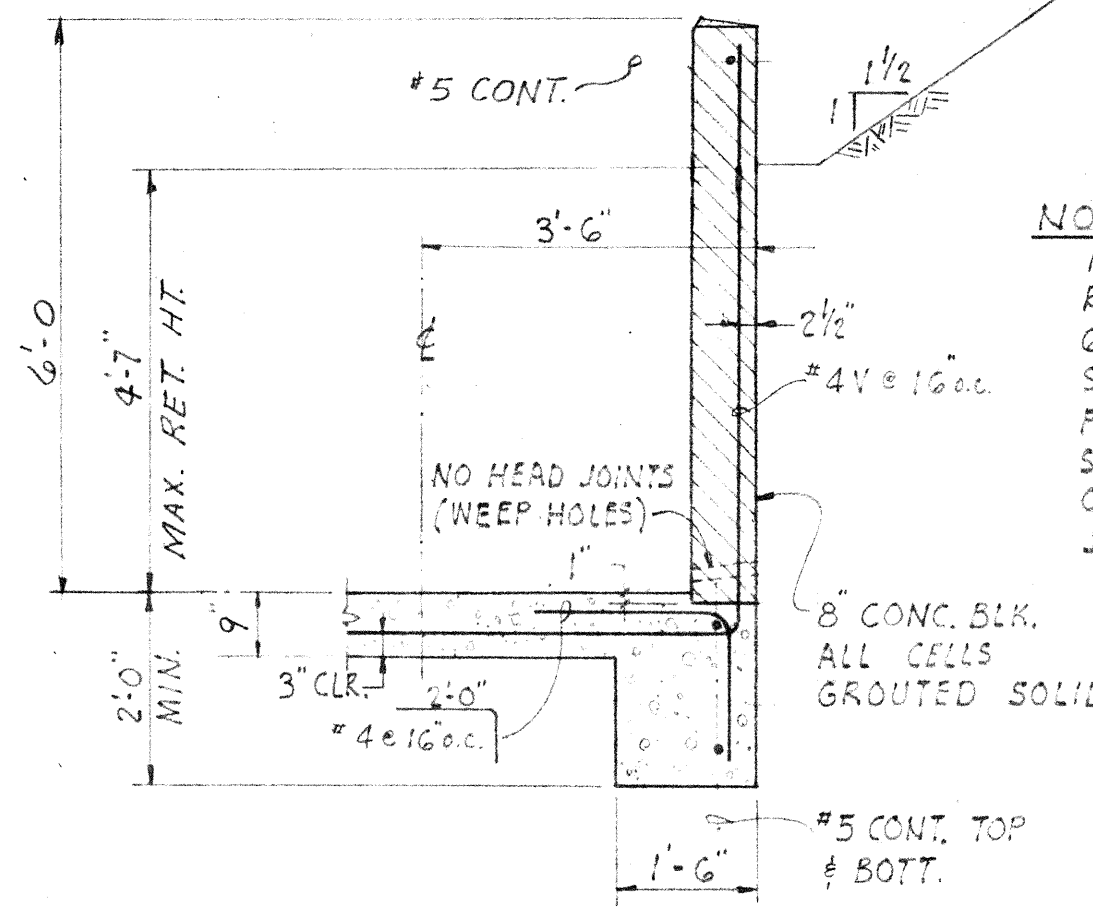


1 1/2 x 1-0

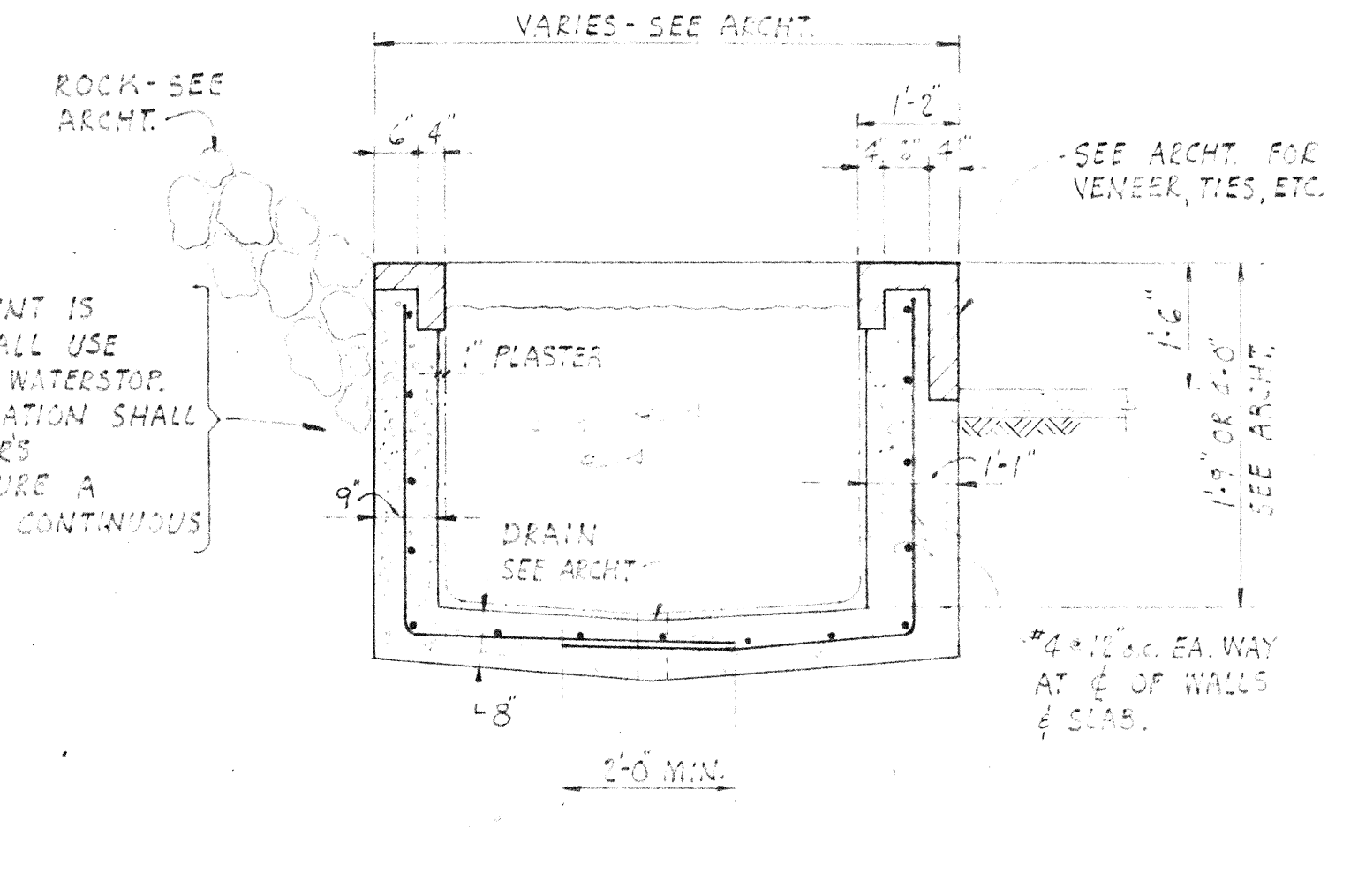


2 1/2 x 1-0

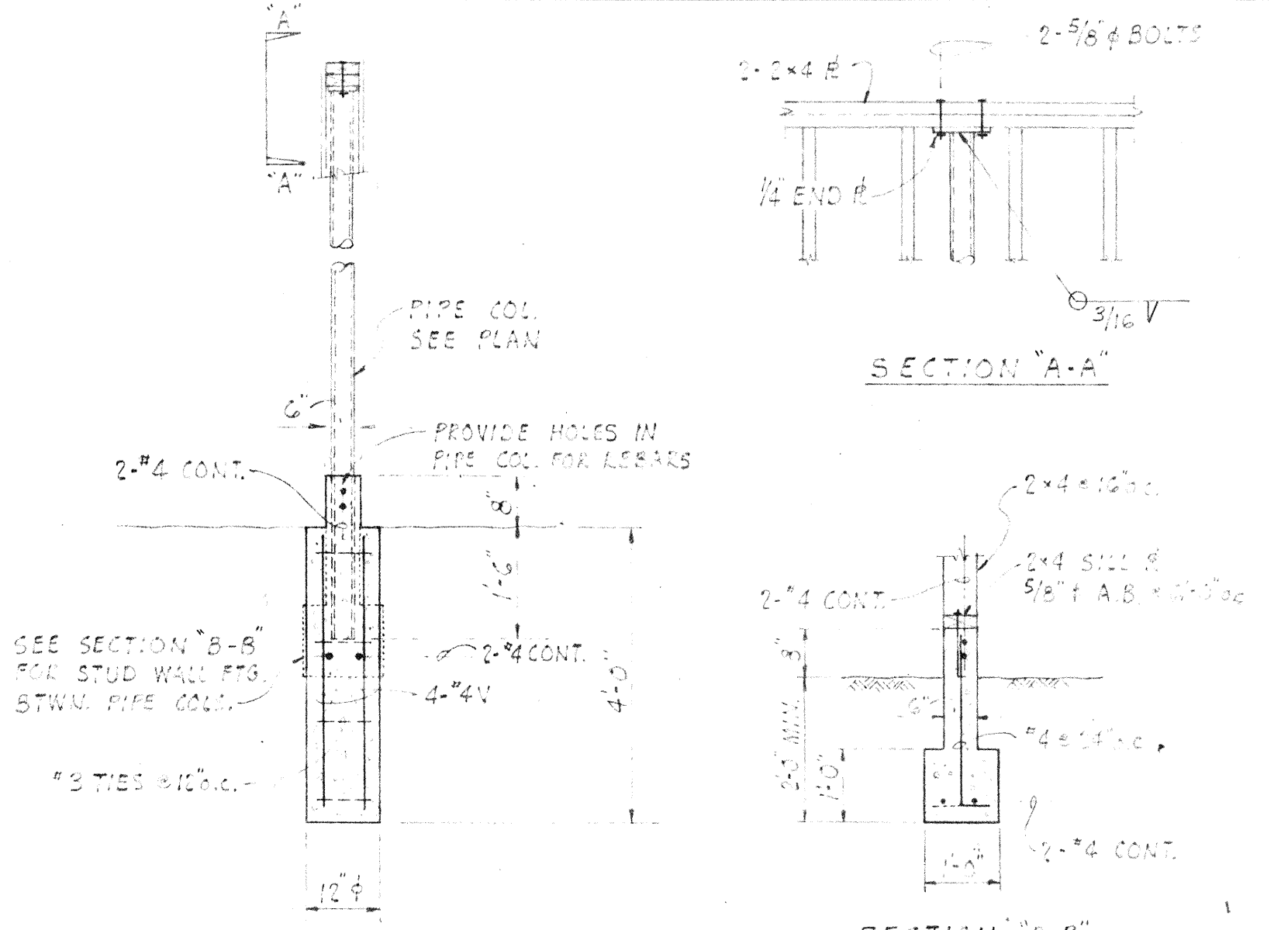


3 1/2 x 1-0

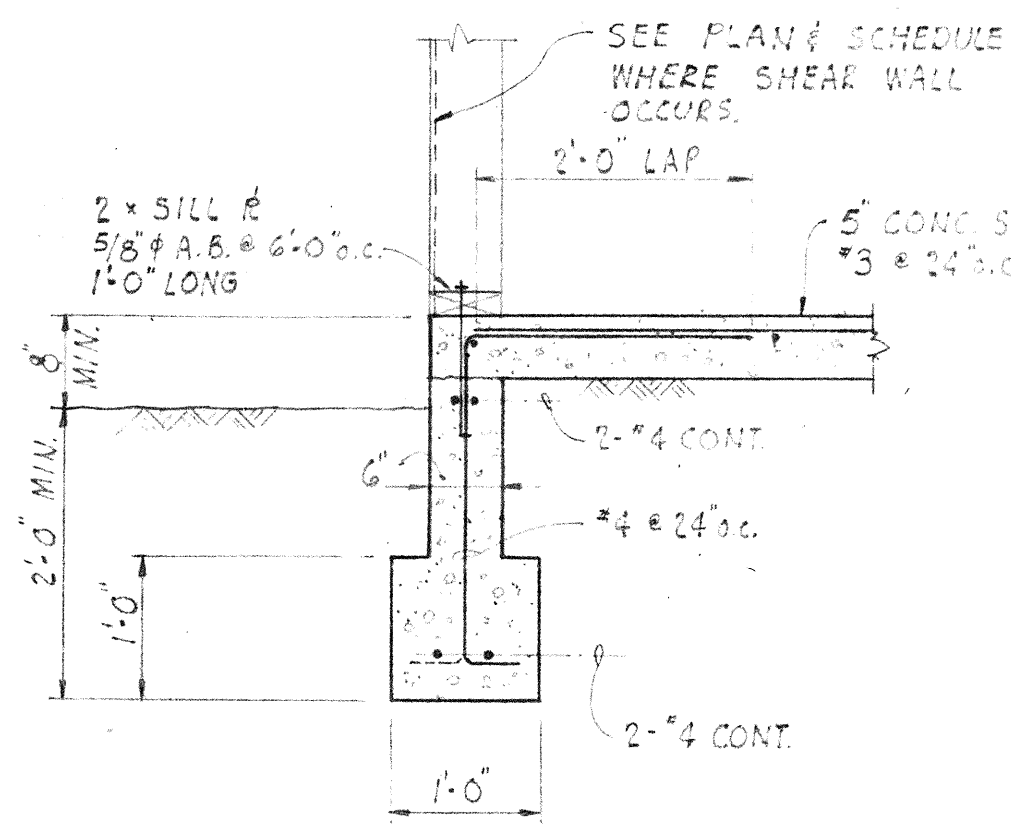
RETAINING WALL AT TRASH AREA



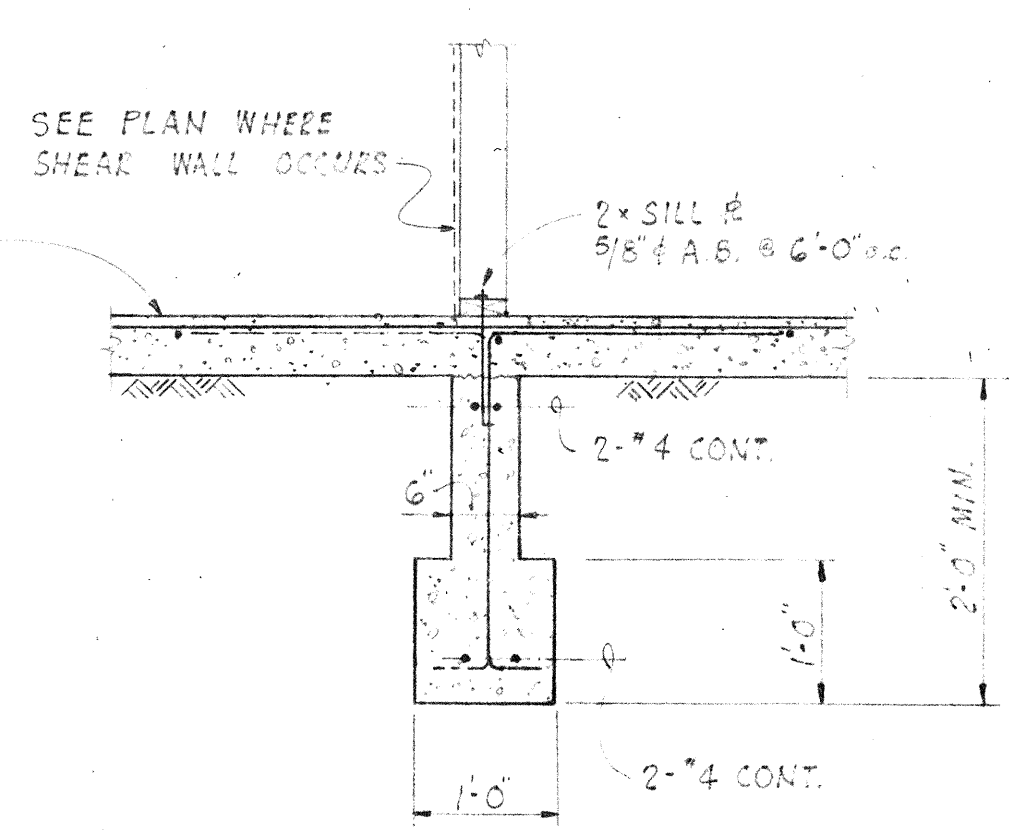
4 1/2 x 1-0



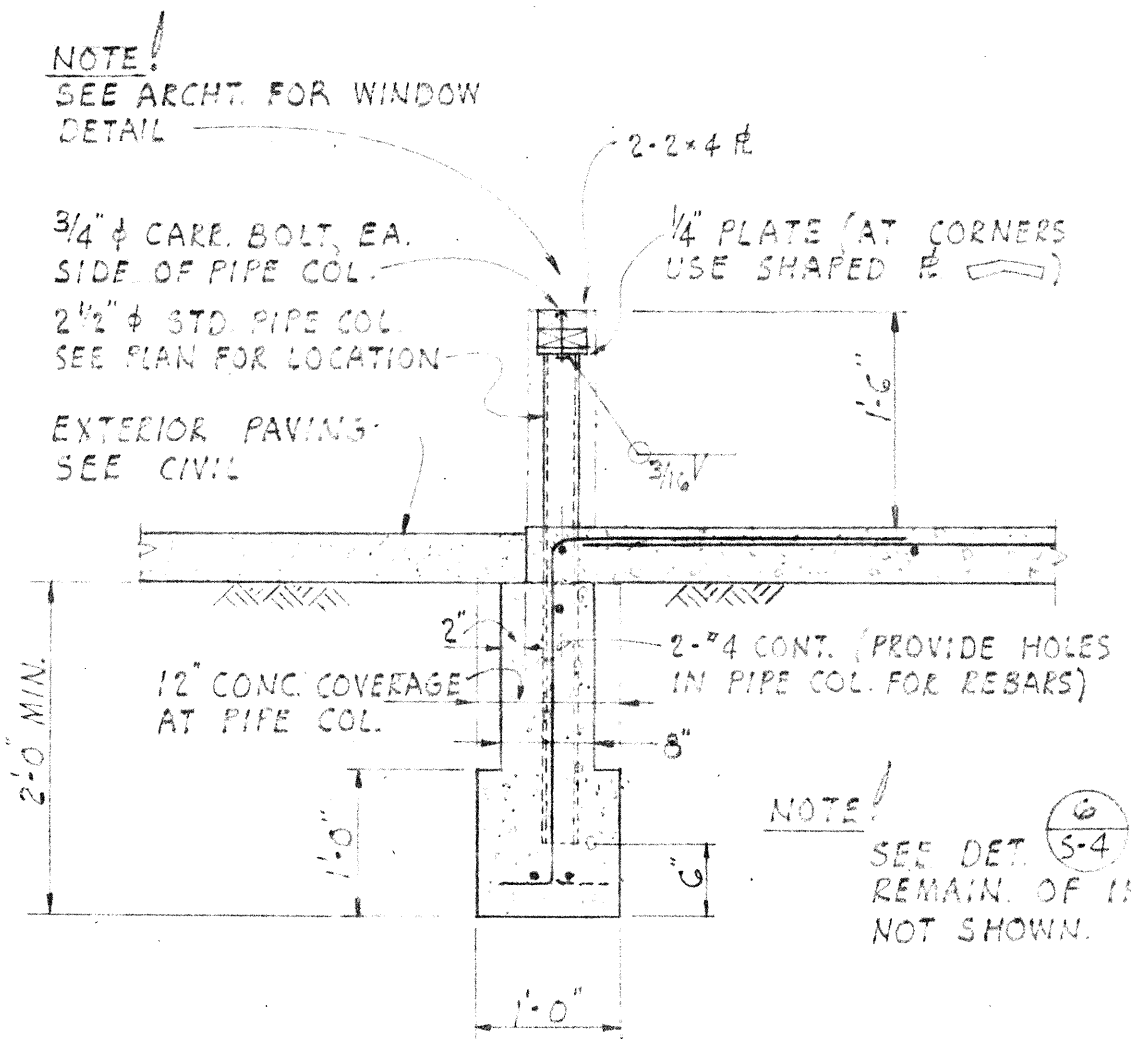
5 1/2 x 1-0



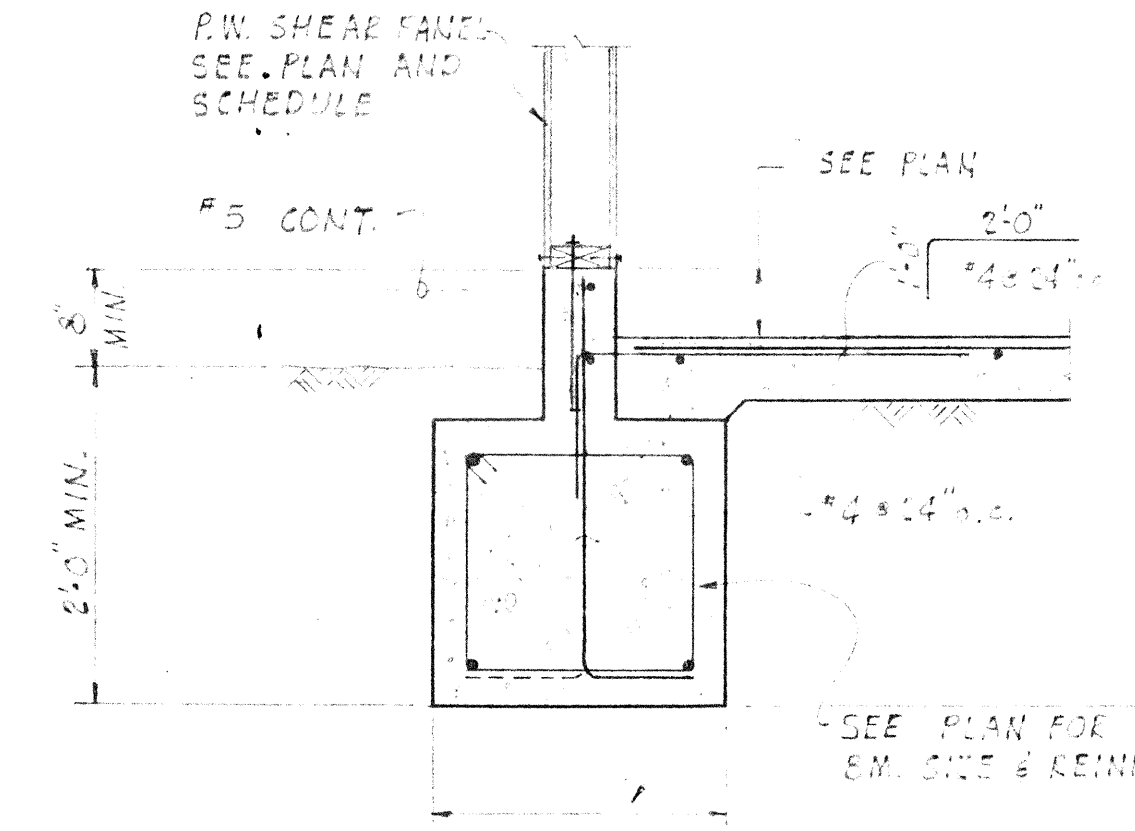
6 3/4 x 1-0



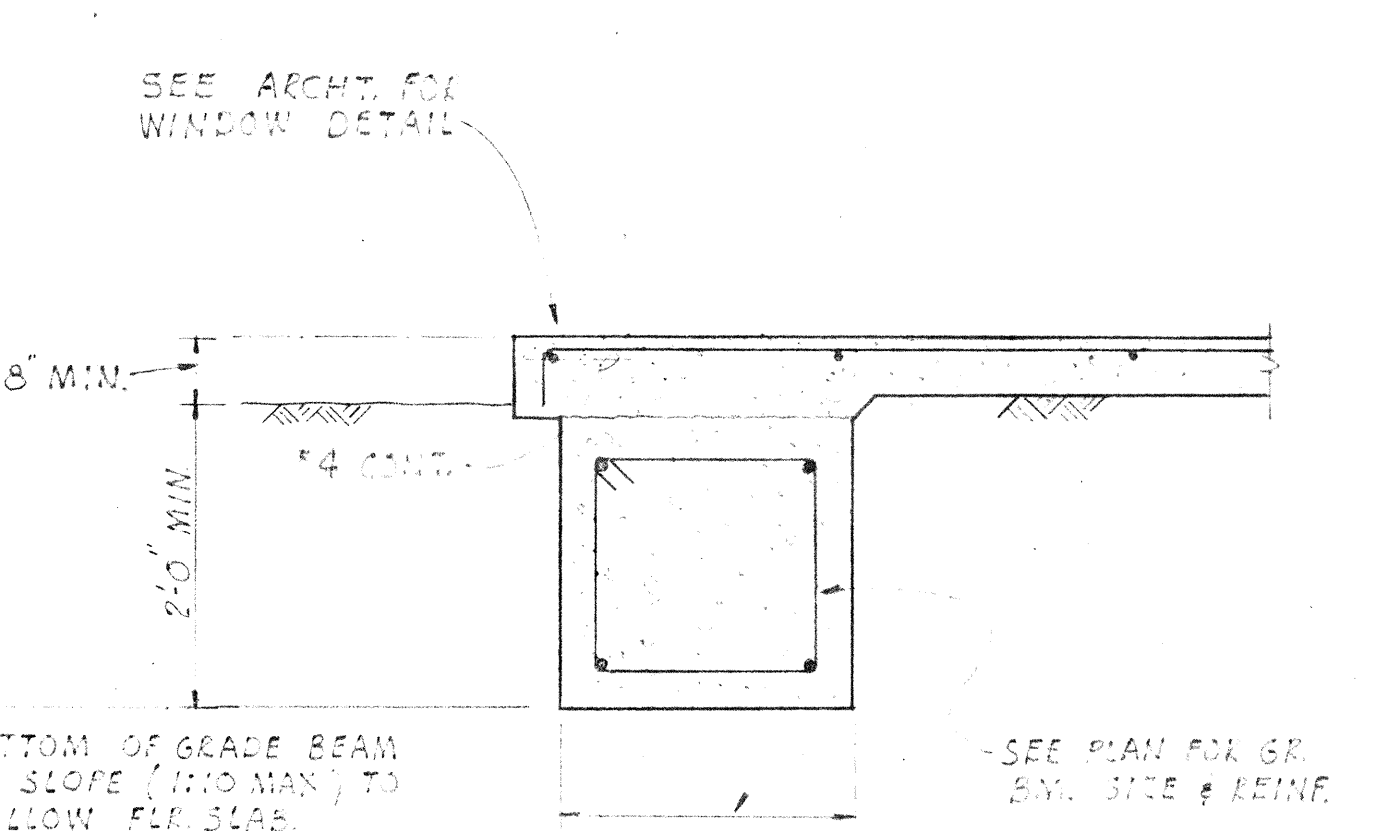
7 3/4 x 1-0



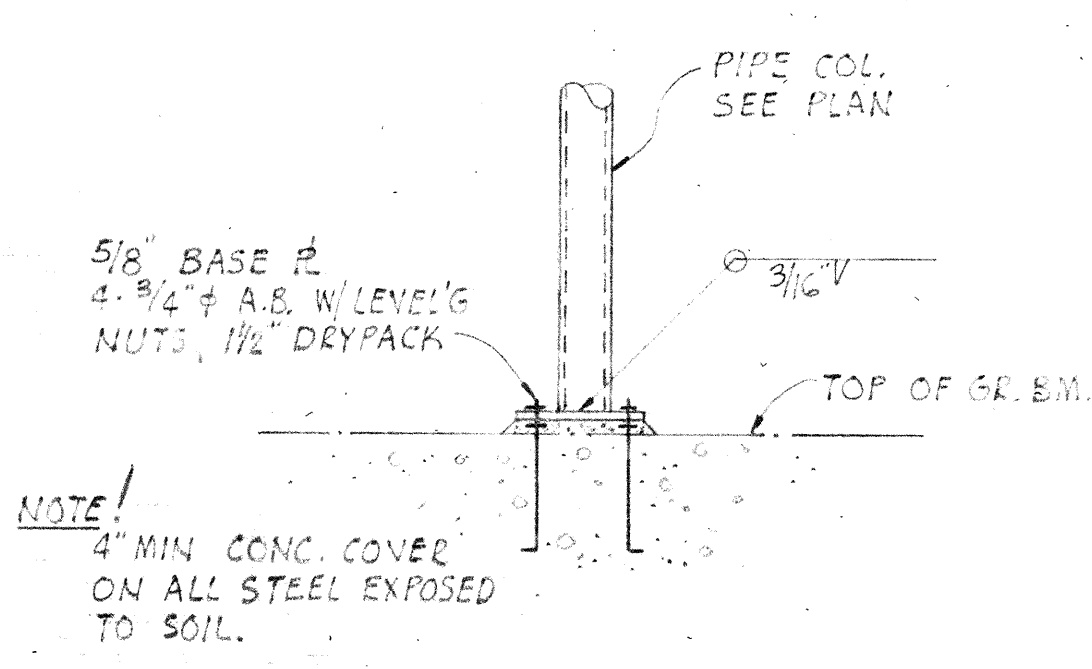
8 3/4 x 1-0



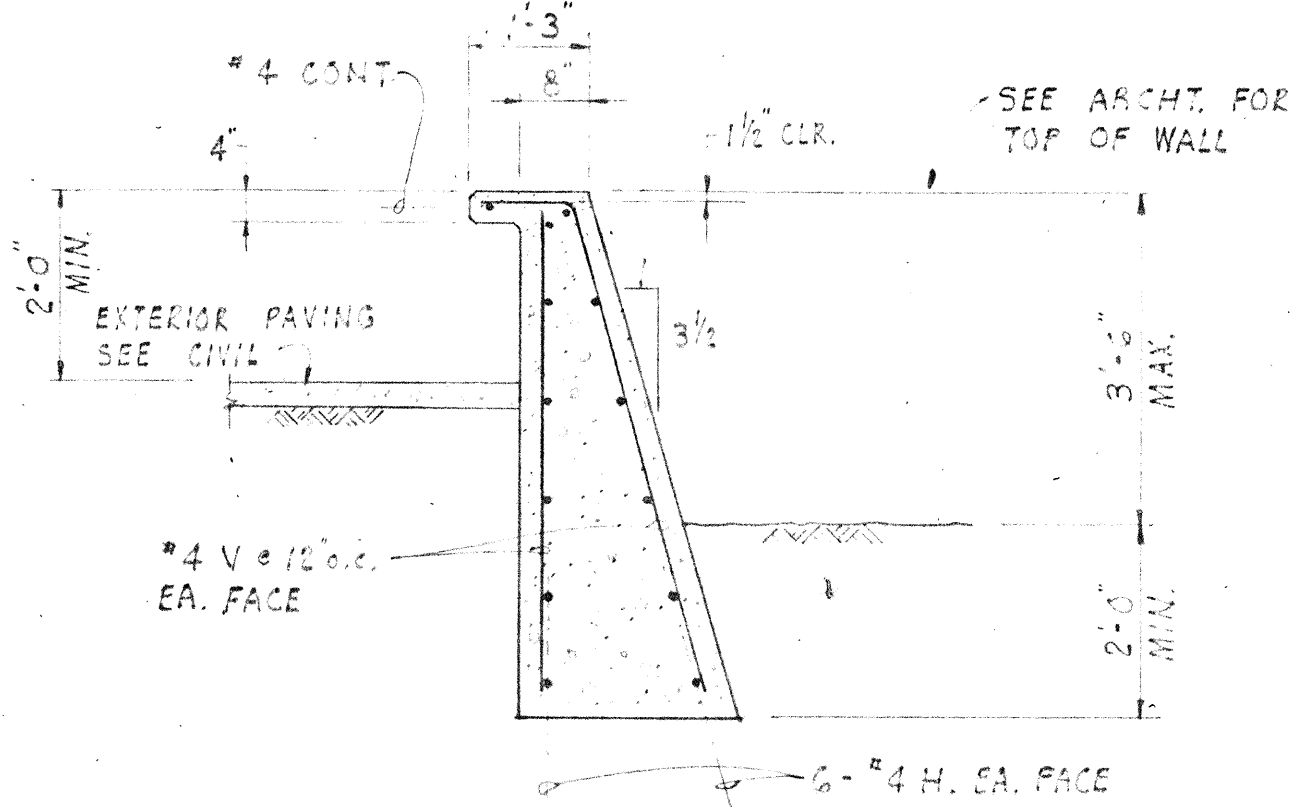
9 3/4 x 1-0



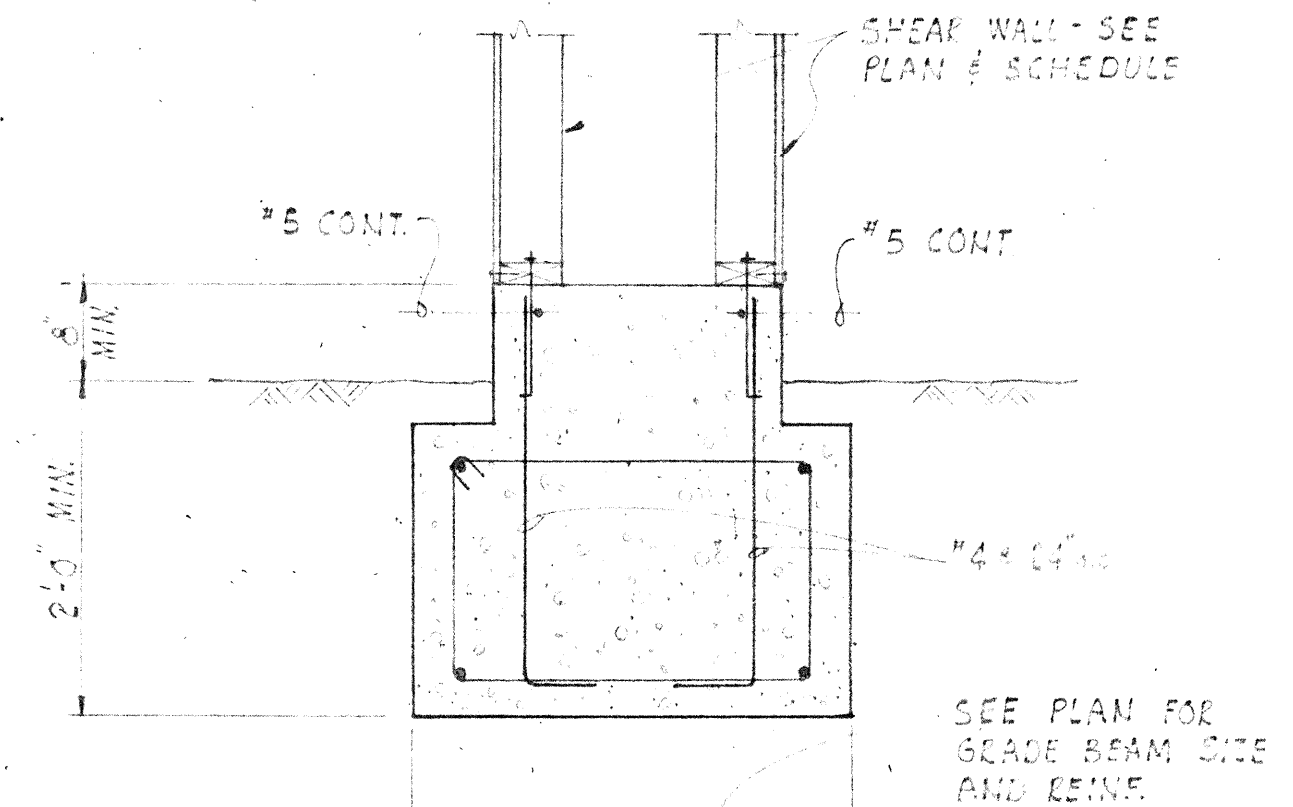
10 3/4 x 1-0



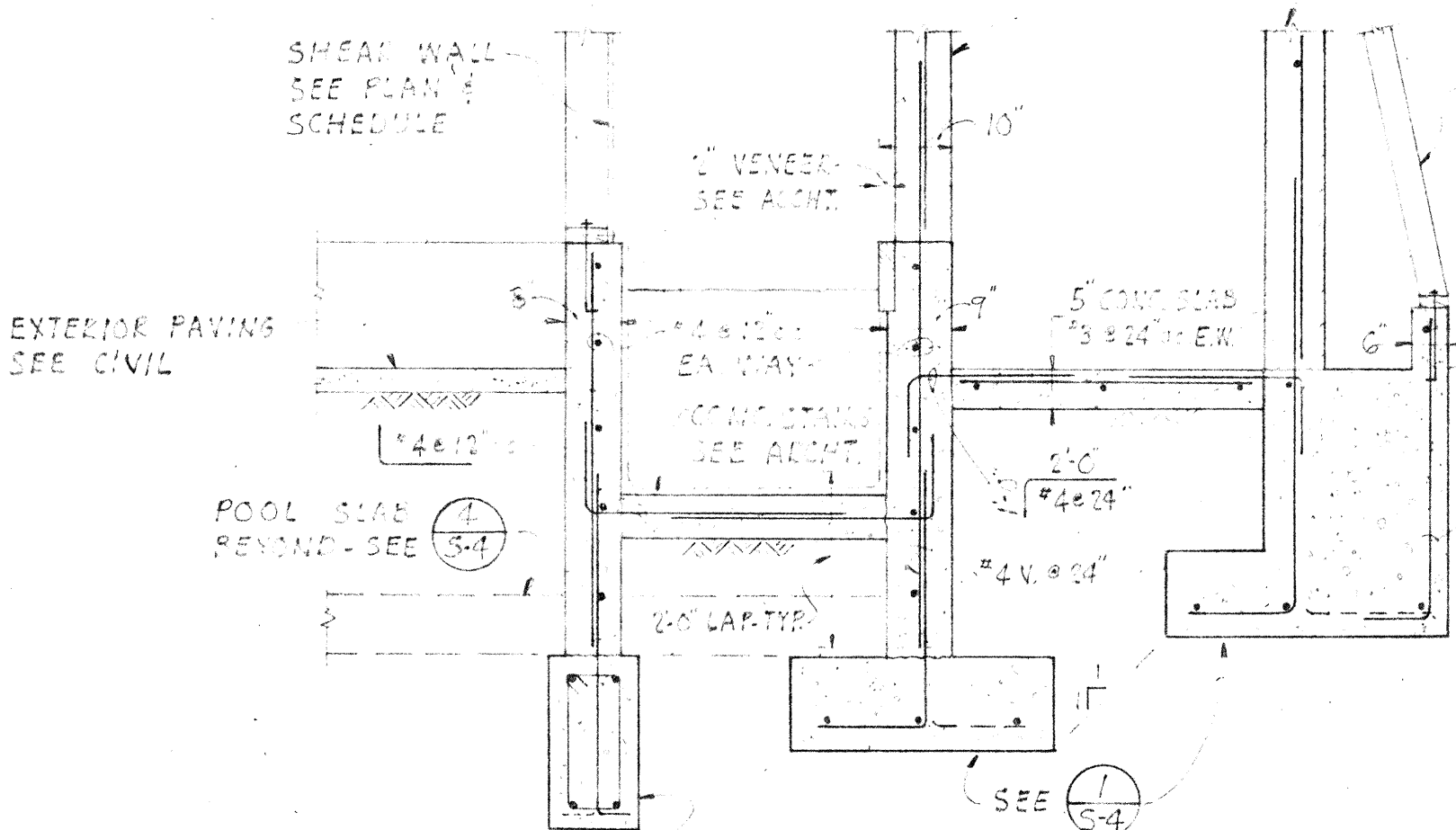
TYP. PIPE COLUMN BASE & CONNECTION 11 3/4 x 1-0



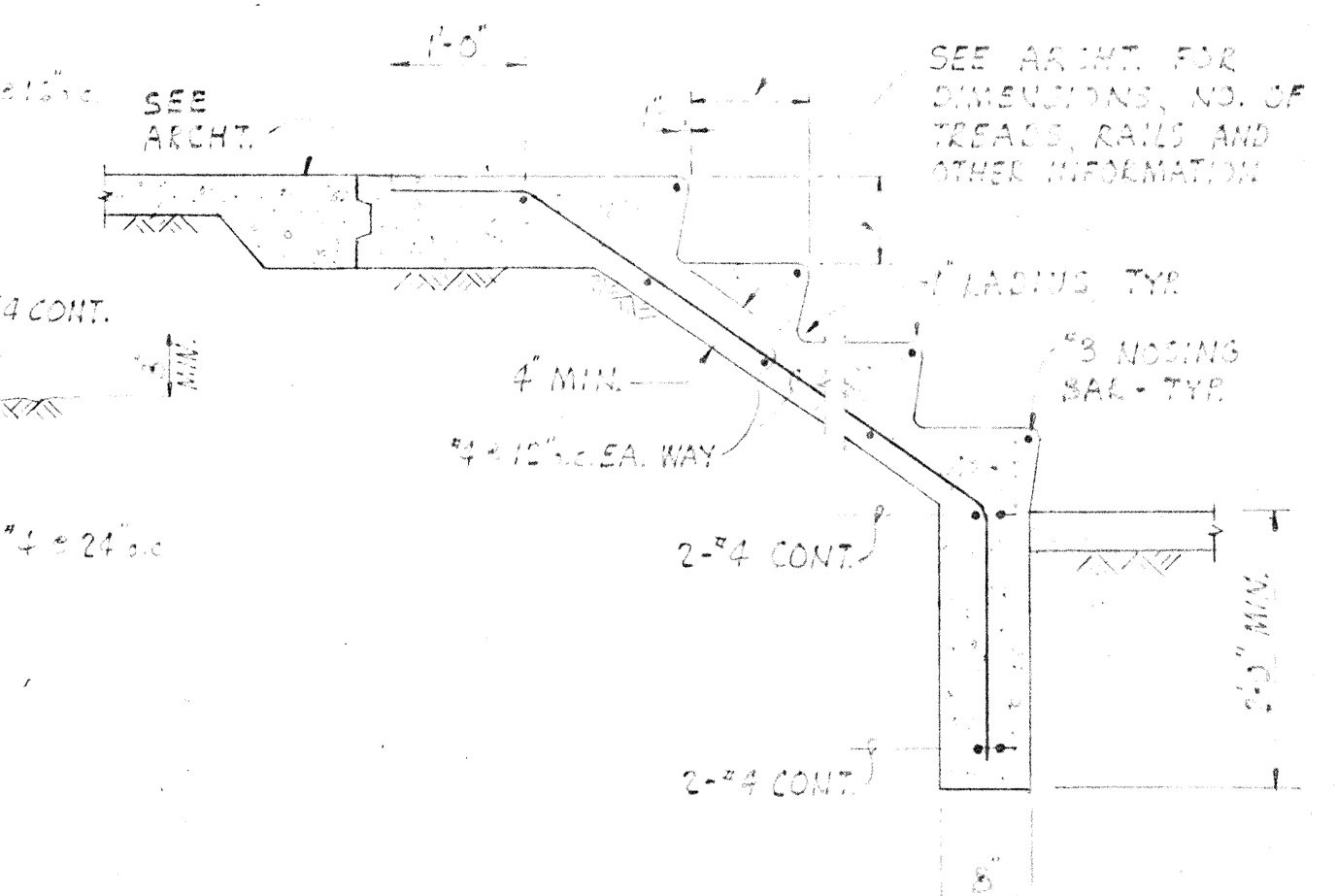
PLANTER BENCH DETAIL 12 1/2 x 1-0 (SEE ARCHT. FOR LOCATION)



13 3/4 x 1-0



14 1/2 x 1-0



CONCRETE STEPS ON GRADE 15 3/4 x 1-0

KING, BENOFF, STEINMANN, KING
CONSULTING ENGINEERS

LASALIA and SQUIRE
ARCHITECTS

5441 TOPANGA CANYON BLVD WOODLAND HILLS CALIFORNIA 91367

LS

CONEJO VALLEY CHURCH OF CHRIST
SANCTUARY BUILDING

20 BOX TRAIL THOUSAND OAKS CALIFORNIA

NO. 1001
2007-04-08

REVISIONS

DATE

BY

DESCRIPTION