

GENERAL NOTES:

- GENERAL CONTRACTOR AND SUBCONTRACTORS SHALL VERIFY ALL DIMENSIONS AND CONDITIONS SHOWN ON THE PLANS, PRIOR TO COMMENCING WORK.
- COORDINATE STRUCTURAL DETAILS & DIMENSIONS WITH RELATED REQUIREMENTS ON OTHER DRAWINGS.
- THE ARCHITECT WILL INTERPRET THE INTENT OF THE DOCUMENTS IN CASE OF A POSSIBLE CONFLICT OR DISCREPANCY BETWEEN STRUCTURAL AND OTHER DISCIPLINES.
- DETAILS NOTED AS "TYPICAL" OR "TYP" SHALL APPLY IN ALL CASES WHETHER OR NOT SPECIFICALLY REFERENCED.
- WORKMANSHIP AND MATERIALS SHALL CONFORM TO THE REQUIREMENTS OF THE 2019 EDITION OF THE CALIFORNIA BUILDING CODE.
- FOUNDATION DESIGN IS BASED UPON GEOTECHNICAL REPORT BY EARTH SYSTEMS PACIFIC, PROJECT NO. 301911-001, DATED AUGUST 20, 2018.
- MATERIAL REQUIREMENTS:
 - A. CONCRETE: $f'_c = 2500$ PSI AT 28 DAYS NO SPECIAL INSPECTION REQUIRED
 - B. CONCRETE BLOCK: ASTM C90 GRADE N-1 (NORMAL WEIGHT) NO SPECIAL INSPECTION REQUIRED ($f'_m = 1500$ psi) GROUT: $f'_c = 2,000$ psi, MORTAR: $f'_c = 1800$ psi
 - C. REINFORCING STEEL: ASTM A615, #4 & SMALLER - GRADE 40, #5 & LARGER - GRADE 60
 - D. EPOXY ANCHORS: REFER TO 4/- SPECIAL INSPECTION REQUIRED.

FOUNDATION NOTES:

- ALL CONCRETE SHALL HAVE 2500 PSI MINIMUM COMPRESSIVE STRENGTH AT 28 DAYS. NO SPECIAL INSPECTION REQUIRED.
- SOIL COMPACTION REPORT SHALL BE PROVIDED TO THE BUILDING INSPECTOR AT THE JOB SITE PRIOR TO PLACEMENT OF CONCRETE FOR THE FOUNDATION.
- SOIL ENGINEER SHALL INSPECT FOUNDATION EXCAVATIONS PRIOR TO PLACEMENT OF CONCRETE FOR THE FOUNDATION.
- ALL REINFORCING STEEL SHALL COMPLY WITH MATERIAL REQUIREMENTS NOTED ABOVE. PLACING OF REINFORCING STEEL SHALL COMPLY WITH CHAPTER 19 OF THE CALIFORNIA BUILDING CODE.
- PRIOR TO THE CONTRACTOR REQUESTING A BUILDING DEPARTMENT FOUNDATION INSPECTION, THE SOILS ENGINEER SHALL ADVISE THE BUILDING OFFICIAL IN WRITING THAT:
 - A. THE BUILDING PAD WAS PREPARED IN ACCORDANCE WITH THE SOILS REPORT.
 - B. THE UTILITY TRENCHES HAVE BEEN PROPERLY BACKFILLED AND COMPACTED.
 - C. THE FOUNDATION EXCAVATIONS, THE SOIL EXPANSIVE CHARACTERISTICS AND BEARING CAPACITY CONFORM TO THE SOILS REPORT.

MASONRY NOTES:

- THE CONTRACTOR SHALL VERIFY ALL DIMENSIONS AND CONDITIONS ON THE JOB. THE CONTRACTOR SHALL BE RESPONSIBLE FOR ALL TEMPORARY SUPPORT OF ANY VERTICAL EARTH CUTS OVER 6'-0" IN HEIGHT.
- ALL CELLS TO BE THOROUGHLY WET BEFORE POURING GROUT.
- ALL CELLS BELOW BACKFILL AND ALL OTHER CELLS WHICH CONTAIN REINFORCEMENT TO BE FILLED W/ GROUT
- REINFORCEMENT TO BE SPLICED 48 DIAMETERS (40 KSI STEEL), MINIMUM. REINFORCEMENT TO BE SPLICED 72 DIAMETERS (60 KSI STEEL), MINIMUM.
- REINFORCEMENT SHALL BE ACCURATELY SPLICED AND SECURED SO THAT IT WILL NOT BE DISPLACED. ALL CONCRETE SHALL BE PROPERLY CONSOLIDATED DURING PLACEMENT. ALL REINFORCING STEEL & EMBEDDED ITEMS SHALL BE SECURELY TIED IN PLACE PRIOR TO PLACEMENT OF CONCRETE.
- GROUT SHALL BE WELL RODDED TO INSURE A GOOD CONTACT WITH REINFORCEMENT AN TO ELIMINATE ROCK POCKETS AND VOIDS. THE CONTRACTOR SHALL TAKE ADEQUATE PRECAUTIONS FOR MIXING, PLACING, FINISHING, CURING AND PROTECTING CONCRETE DURING UNFAVORABLE WEATHER CONDITIONS.
- POUR LIFTS SHALL BE 6'-0" MAXIMUM WITHOUT SPECIAL INSPECTION.
- POUR ALL FOOTINGS AGAINST SOLID NATURAL UNDISTURBED EARTH OR COMPACTED FILL COMPACTED TO 90% RELATIVE DENSITY.
- USE 4" PERFORATED P.V.C. DRAIN OR OMIT HEAD-JOINTS AT 32" O.C. FOR DRAINAGE. P.V.C. PIPE MUST DRAIN DOWN SLOPE AND BE NO LONGER THAN 40 FEET WITHOUT SPECIAL DESIGN.
- BACKFILL WITH 6" WIDTH OF SAND OR CLEAN COURSE GRAVEL AND COVER WITH A 12" THICK COMPACTED FILL BLANKET AT THE SURFACE. BACKFILL SHALL NOT BE PLACED UNTIL SEVEN (7) DAYS AFTER GROUTING.
- ALL WALLS SHALL BE WATERPROOFED ON THE SOIL SIDE.
- GROUT STRENGTH SHALL BE EQUAL TO OR GREATER THAN CONCRETE STRENGTH.

SPECIAL INSPECTIONS

- SPECIAL INSPECTIONS AND SUBSEQUENT REPORTS SHALL BE REINFORCED IN CONFORMANCE WITH SECTION 1704 OF THE 2019 CBC AT THE OWNER'S EXPENSE.
- ALL SPECIAL INSPECTIONS SHALL BE MADE BY AN INDEPENDENT INSPECTION AGENCY SUBJECT TO APPROVAL BY THE BUILDING DEPARTMENT, AND SHALL BE PAID BY THE OWNER.
 - 3. THE FOLLOWING WORK SHALL BE PERFORMED UNDER CONTINUOUS DEPUTY INSPECTION IN THE PRESENCE OF THE OWNER'S SPECIAL INSPECTOR.
 - A. PLACEMENT OF CONCRETE WITH $f'_c = 3,000$ PSI & GREATER
 - B. INSTALLATION OF EPOXY GROUTED DOWELS
- SPECIAL INSPECTION & PROFESSIONAL OBSERVATION REPORTS SHALL BE SUBMITTED TO THE OWNER, ENGINEER, AND DEPARTMENT OF BUILDING & SAFETY NO LATER THAN SEVEN (7) WORKING DAYS FROM THE DATE OF INSPECTION/OBSERVATION.

STRUCTURAL OBSERVATION PROGRAM

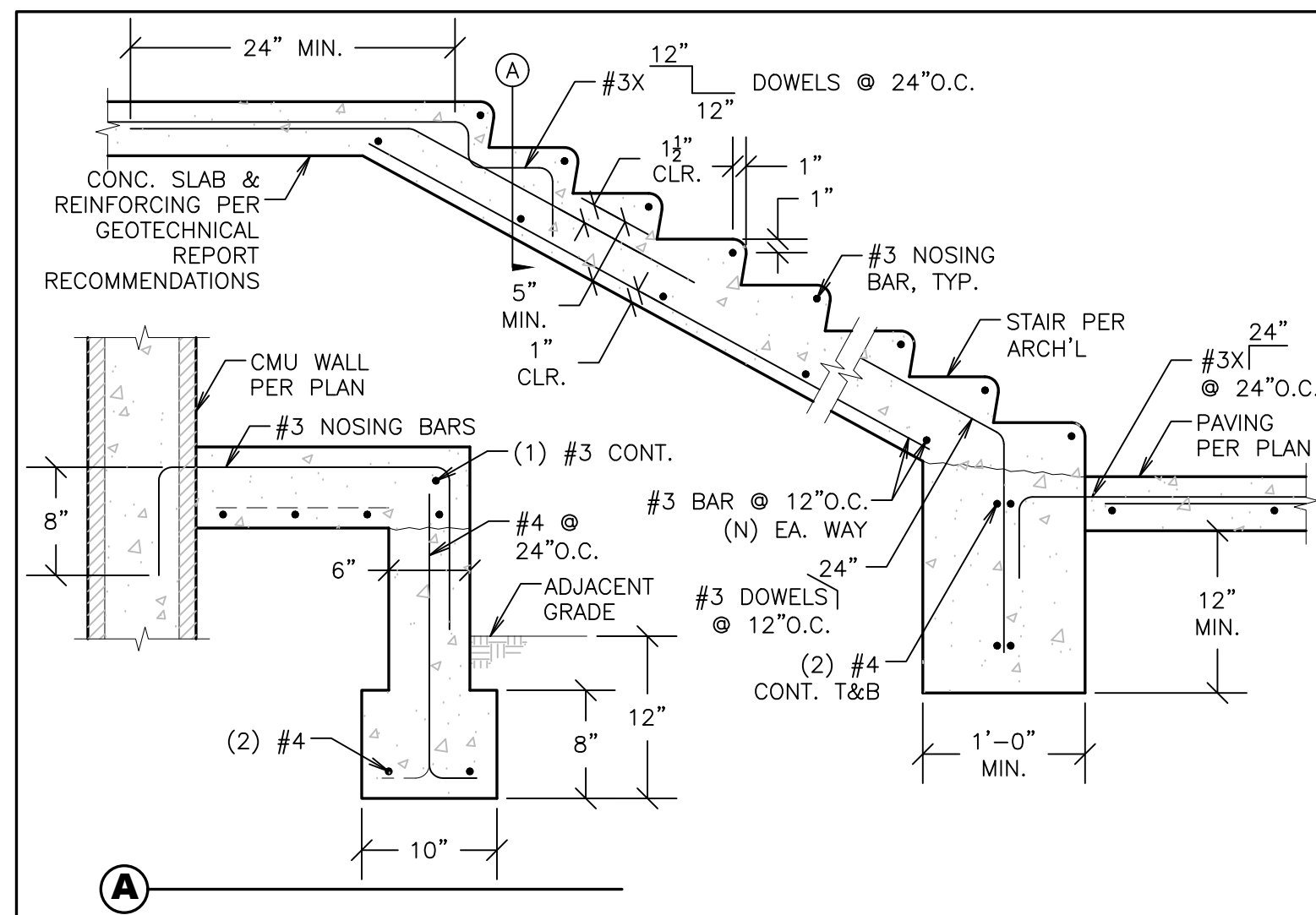
THE OWNER SHALL EMPLOY THE ENGINEER REGISTERED/LICENSED IN THE STATE OF CALIFORNIA WHO IS RESPONSIBLE FOR THE STRUCTURAL DESIGN TO DO THE STRUCTURAL OBSERVATION.

PROJECT ENGINEERS: JAMES VINCI, S.E. S-4411

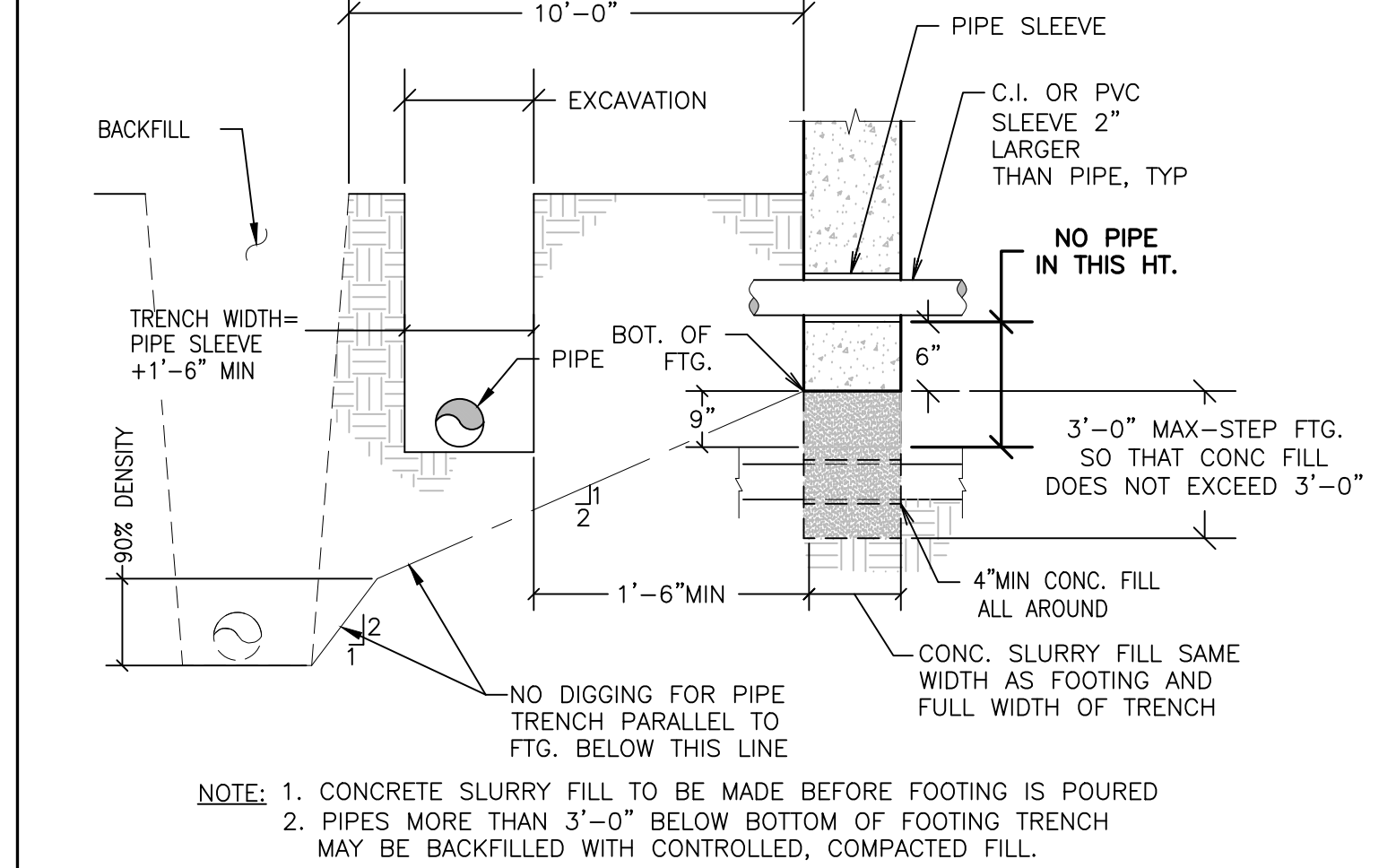
THE ENGINEER RESPONSIBLE FOR THE STRUCTURAL OBSERVATION, THE CONTRACTOR, AND APPROPRIATE SUBCONTRACTORS SHALL HOLD A PRE-CONSTRUCTION MEETING TO REVIEW THE DETAILS OF THE STRUCTURAL SYSTEM TO BE STRUCTURALLY OBSERVED.

THE FOLLOWING ITEMS SHALL BE OBSERVED AT EACH PHASE OF CONSTRUCTION:

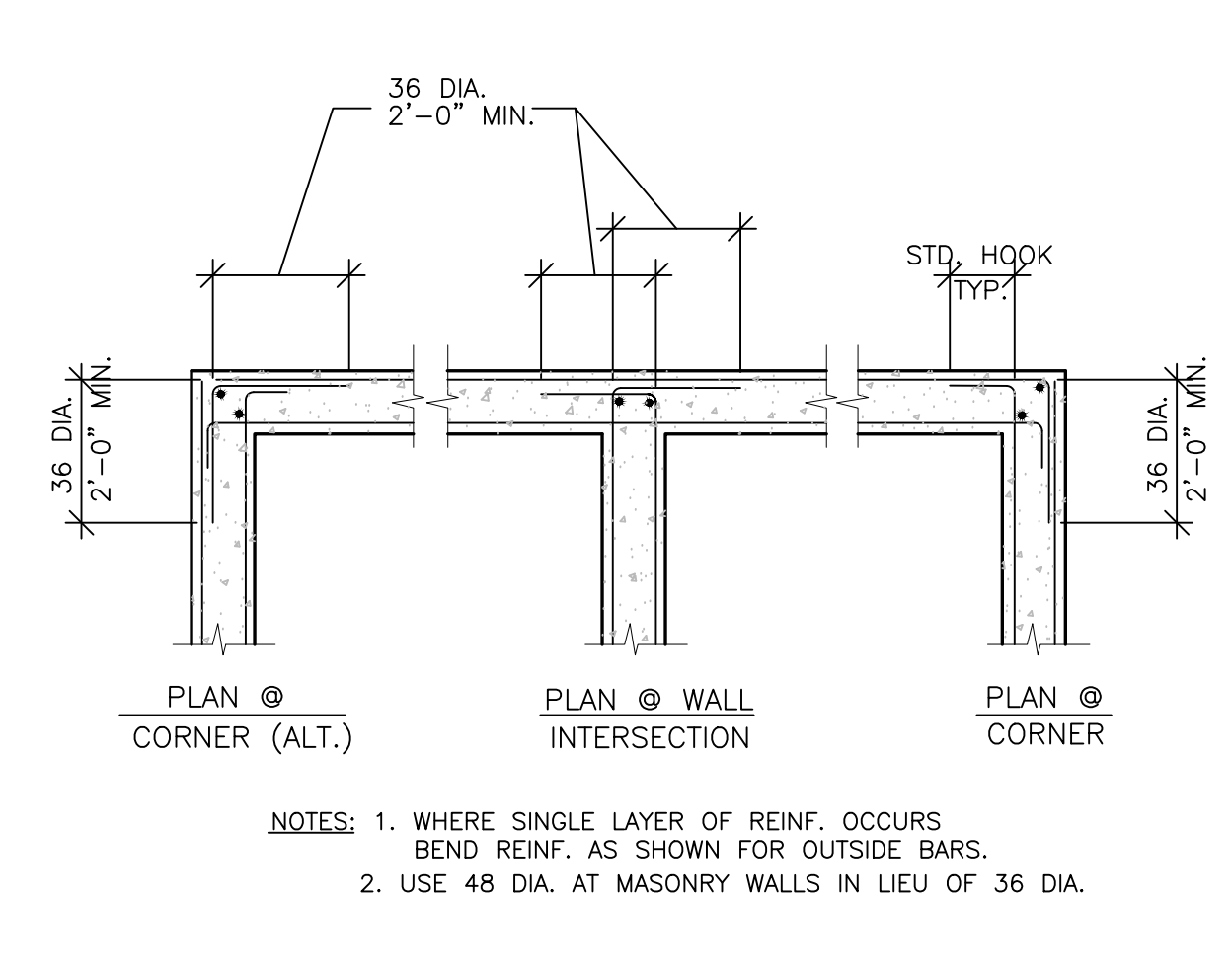
- FOUNDATION: STEEL PLACEMENT & FOOTING DIMENSIONS
- WALL REINFORCING: STEEL PLACEMENT & WALL THICKNESS



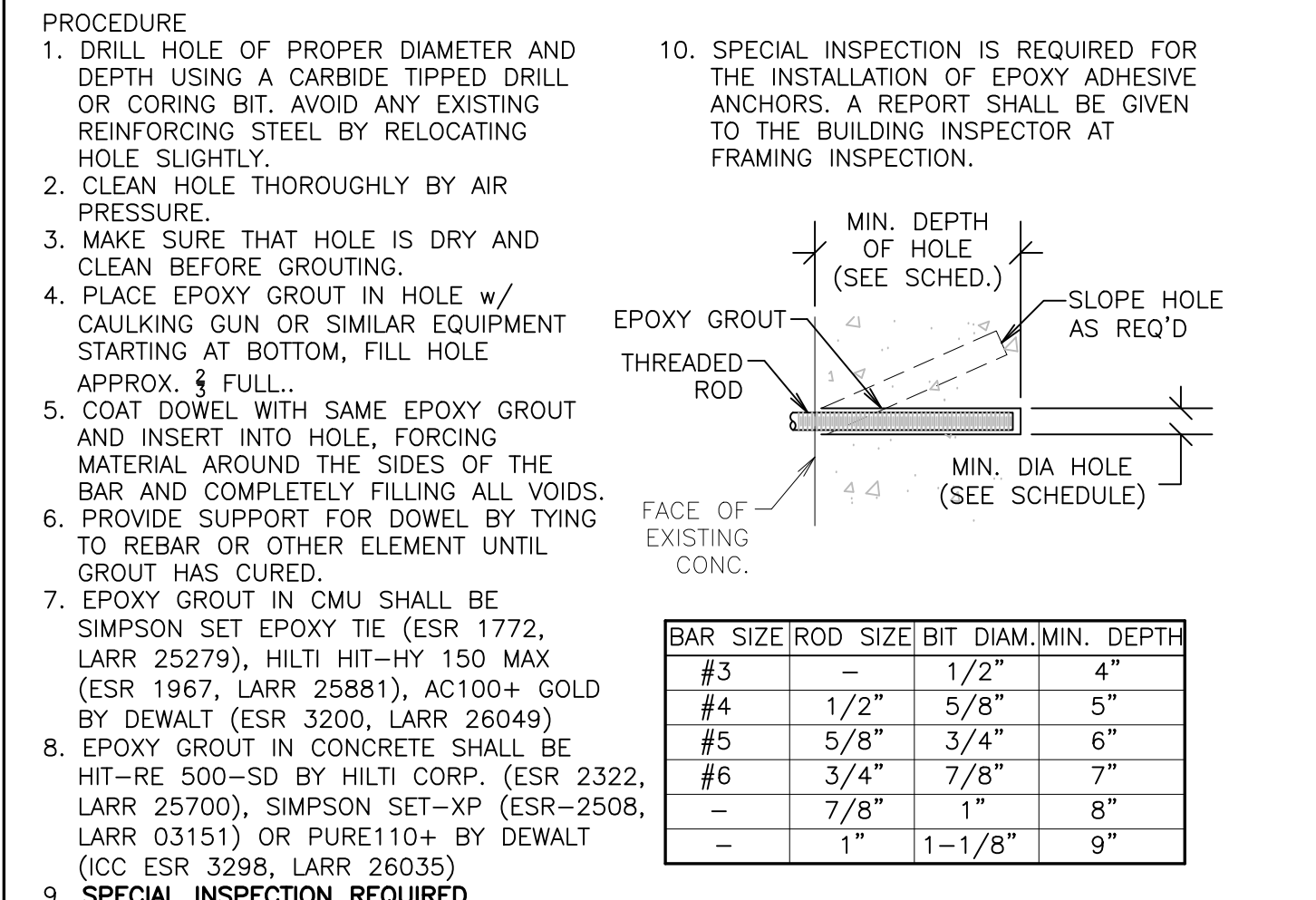
TYPICAL STAIR ON GRADE DETAIL 10



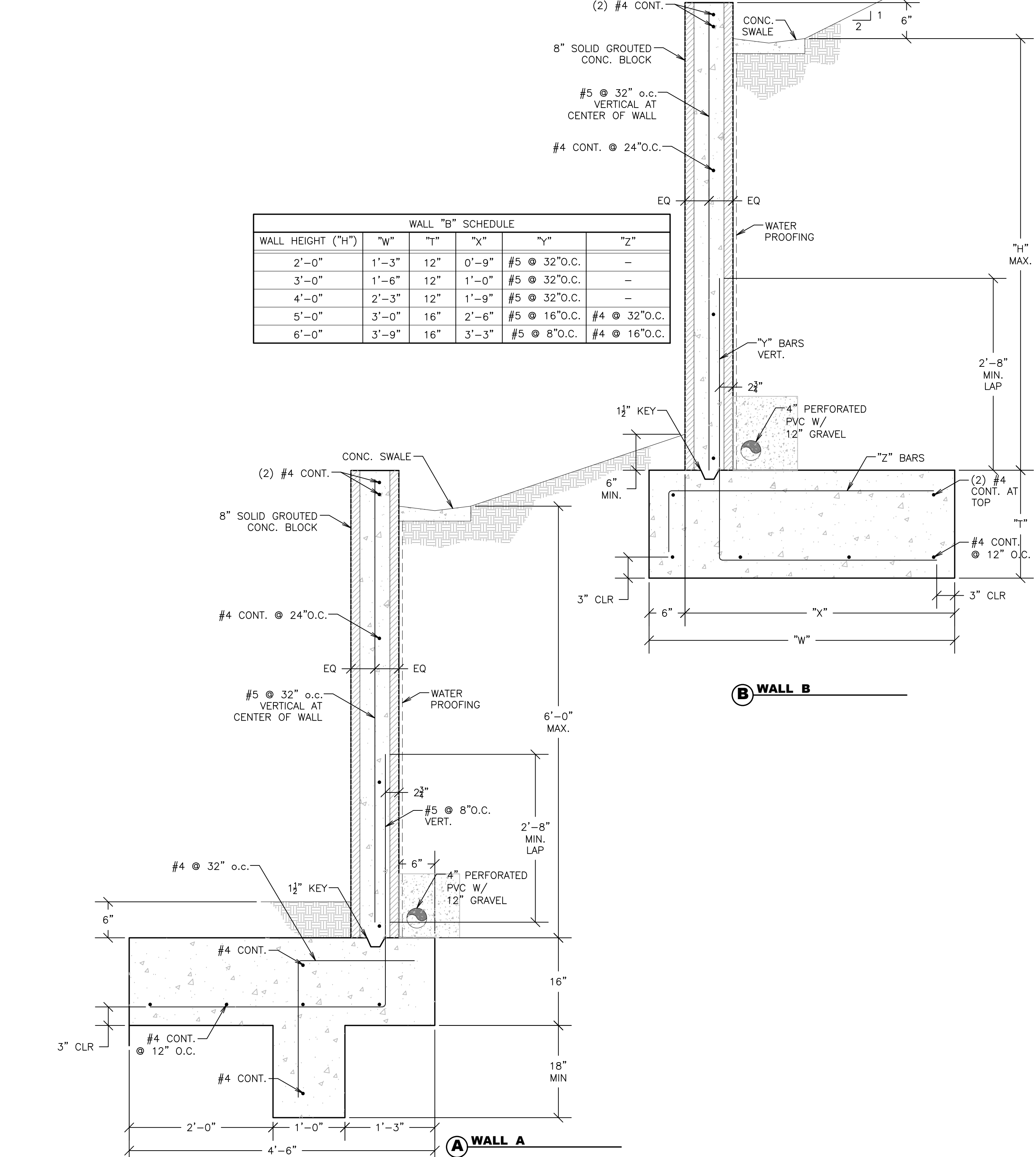
PIPE IN OR ADJACENT TO FOOTING 14



REINFORCING AT CORNERS & INTERSECTIONS 3



TYPICAL EPOXY GROUTED DOWELS / ANCHORS 4



SECTION AT DOUBLE RETAINING WALL 16



OWNERSHIP OF DOCUMENTS:
THIS DOCUMENT AND THE IDEAS AND DESIGNS INCORPORATED HEREIN AS AN INSTRUMENT OF PROFESSIONAL SERVICE IS THE PROPERTY OF VINCI & ASSOCIATES, AND SHALL NOT BE USED OR REPRODUCED IN ANY FORM OR BY ANY MEANS, IN WHOLE OR IN PART, FOR ANY OTHER PROJECT WITHOUT THE WRITTEN AUTHORIZATION OF VINCI & ASSOCIATES. COPYRIGHT © VINCI & ASSOCIATES 2018

Project Name / Address
**Retaining Walls For:
Conejo Valley
Church of Christ
2525 E. Hillcrest Dr.
Thousand Oaks, Ca**

GENERAL NOTES & DETAILS

FOR CONSTRUCTION

Revision	Description	Date

- Project Number: 20-5859
- Project Engineer: AM
- Checked By: JRV
- Drawn By: JWB
- Scale: 1/4"=1'-0"
- Date: 06-04-2020

Sheet Number
RW1
Sheet ___ of ___

