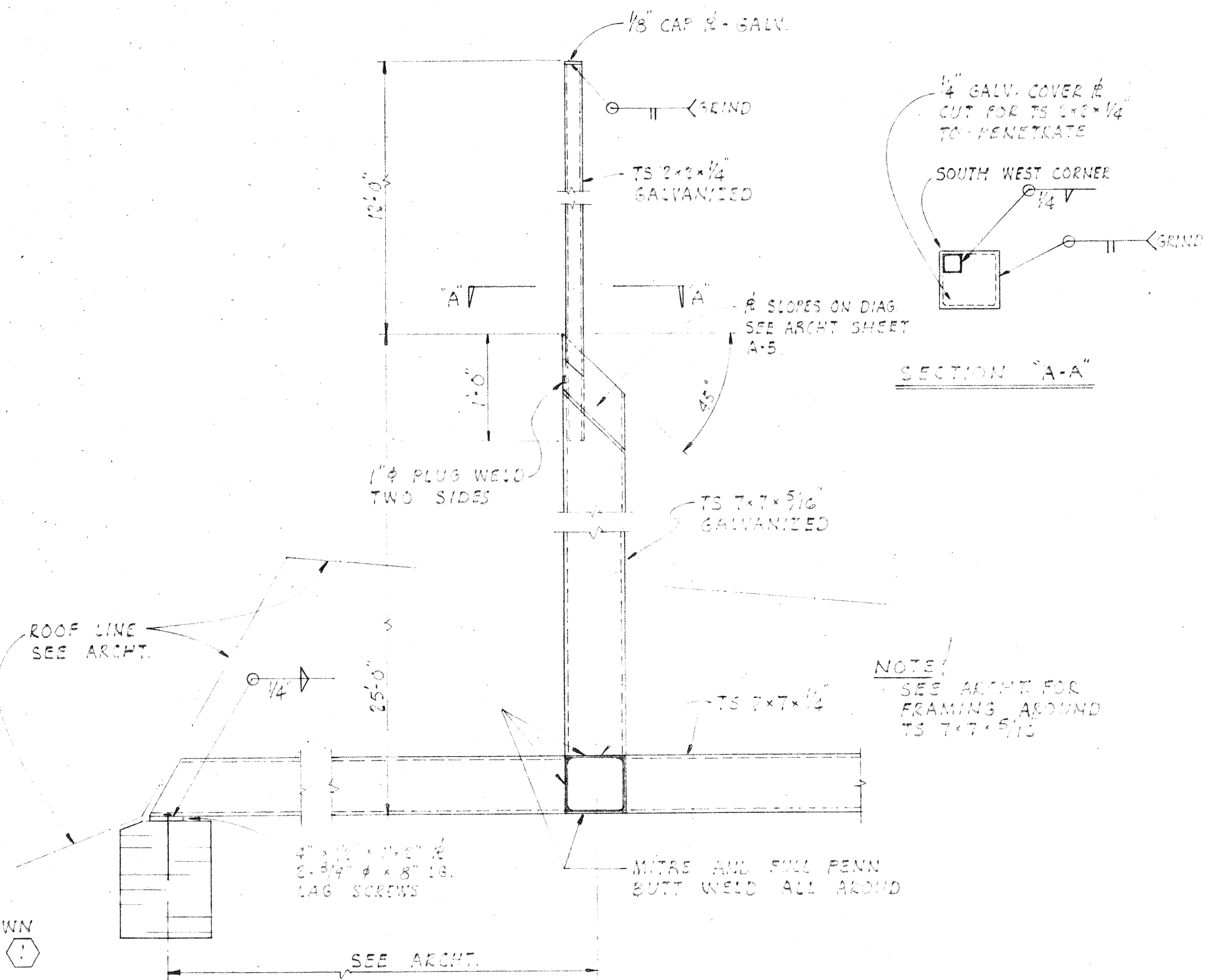
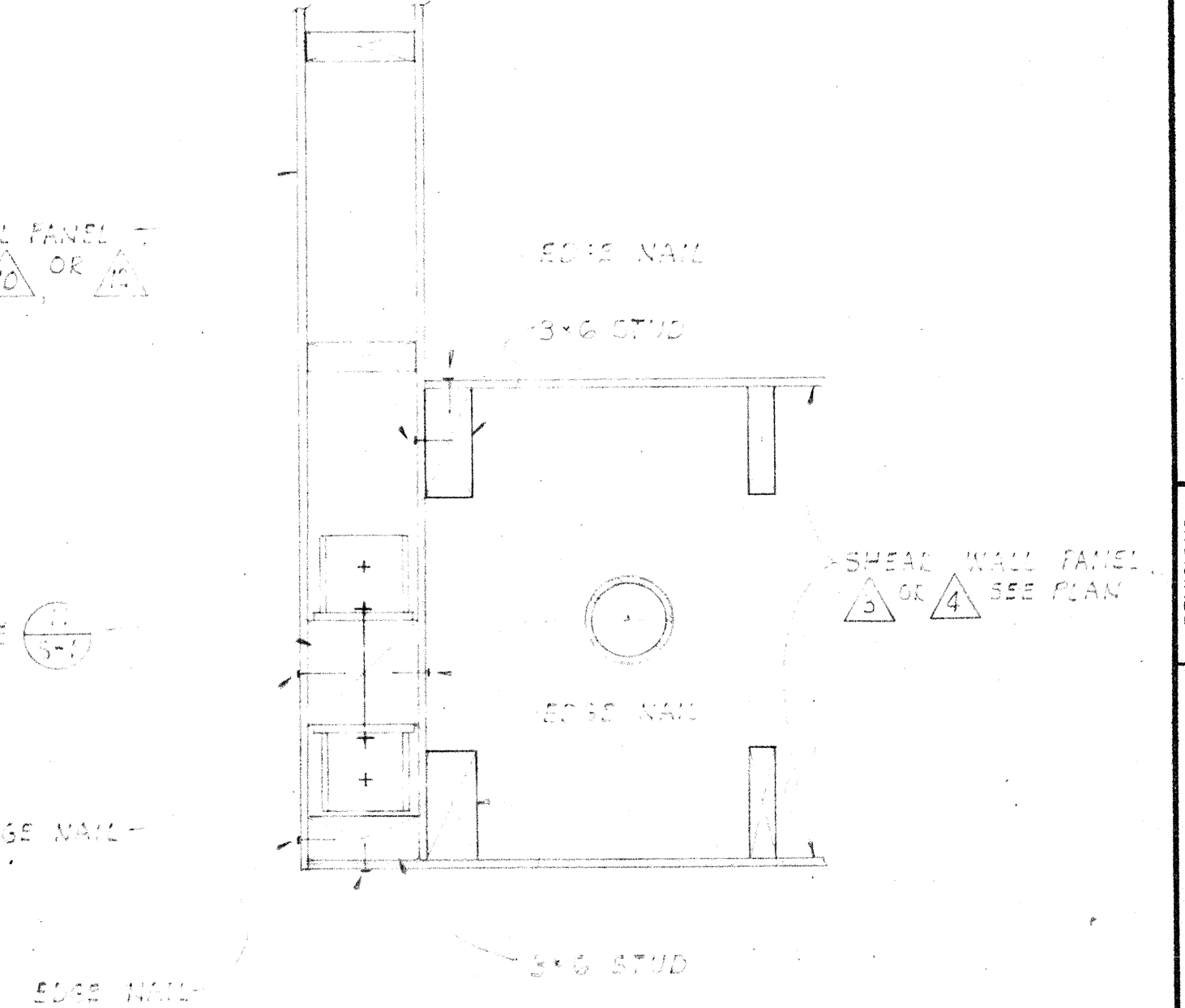
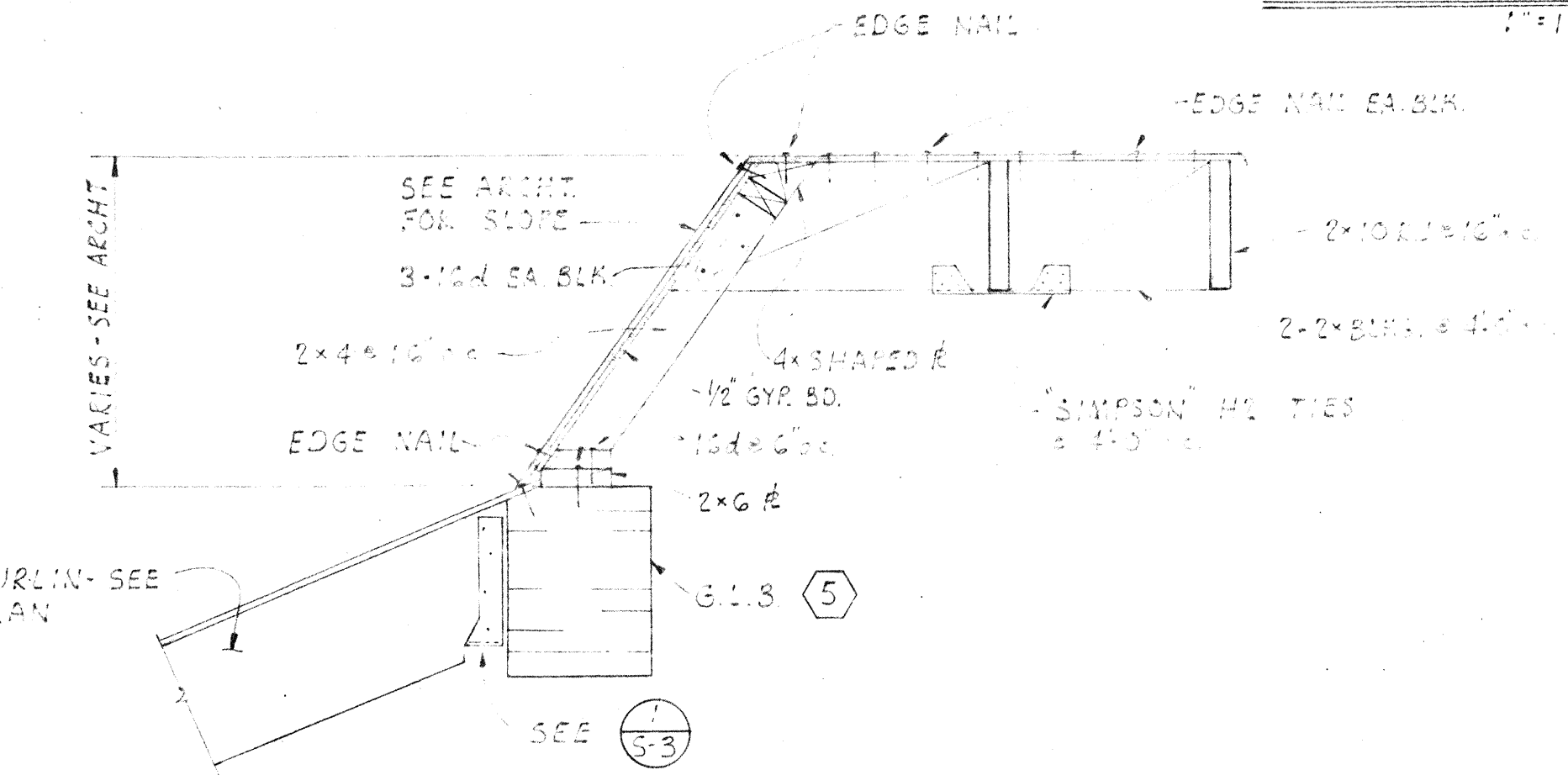
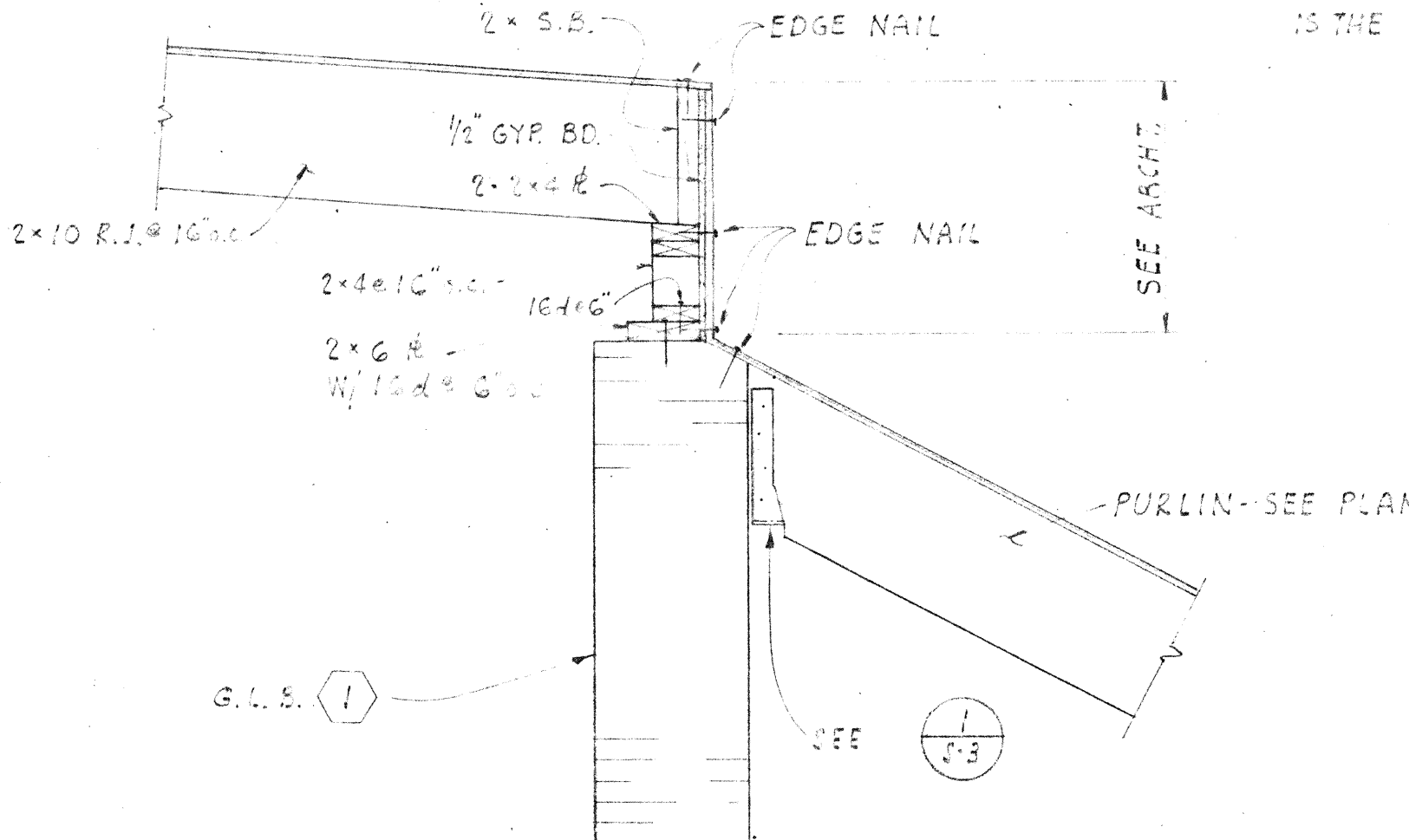
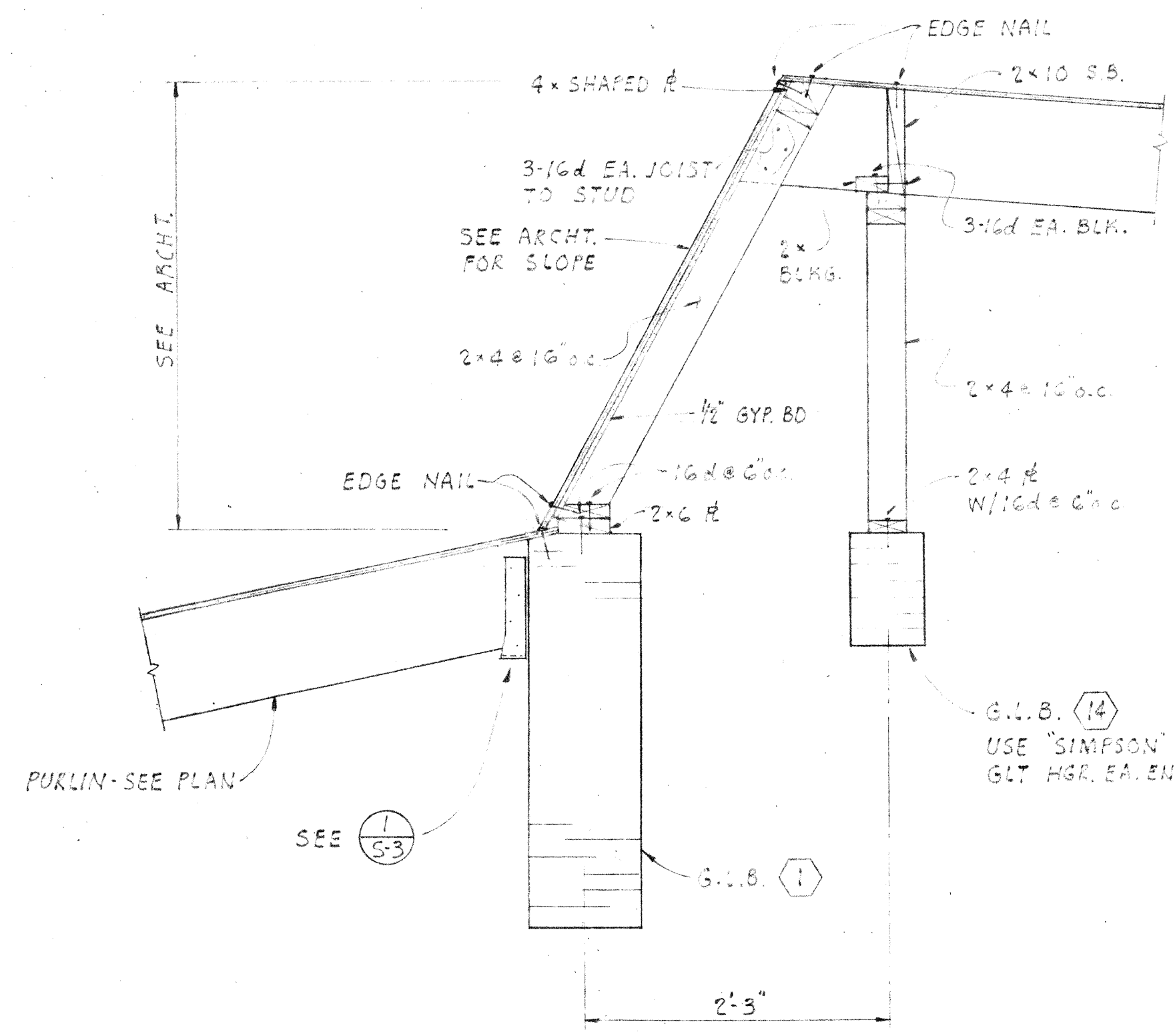


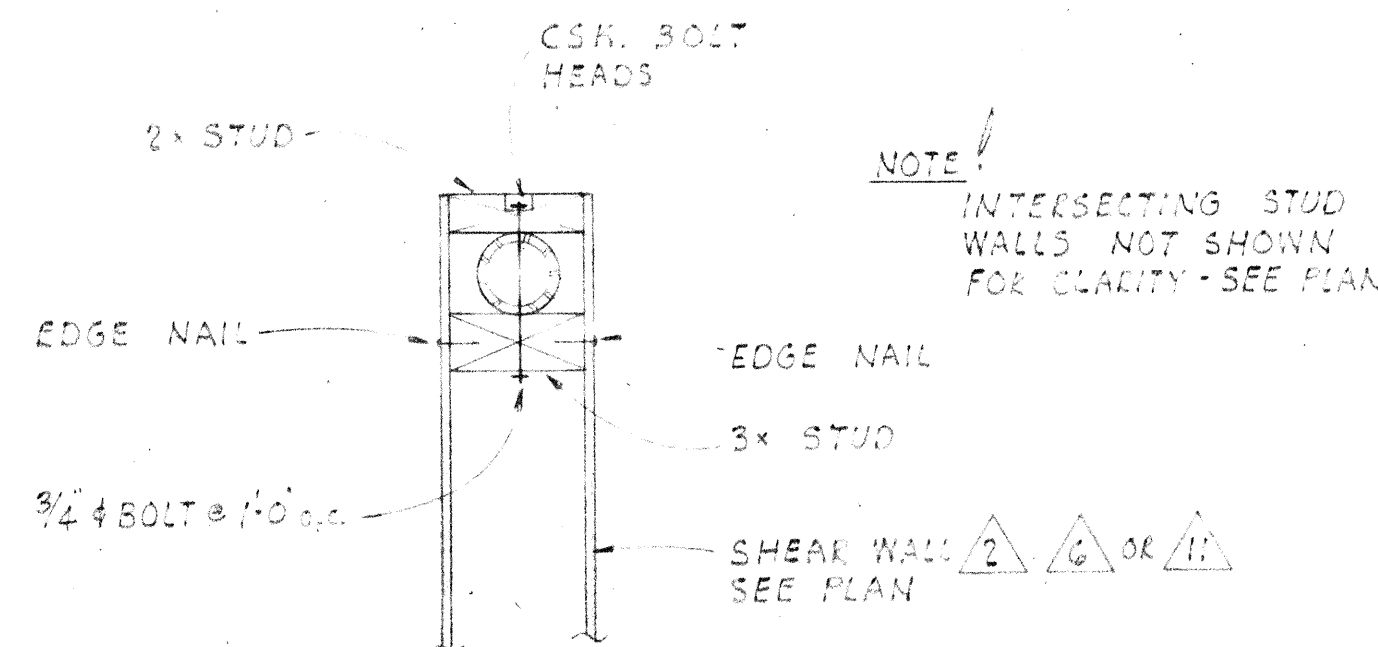
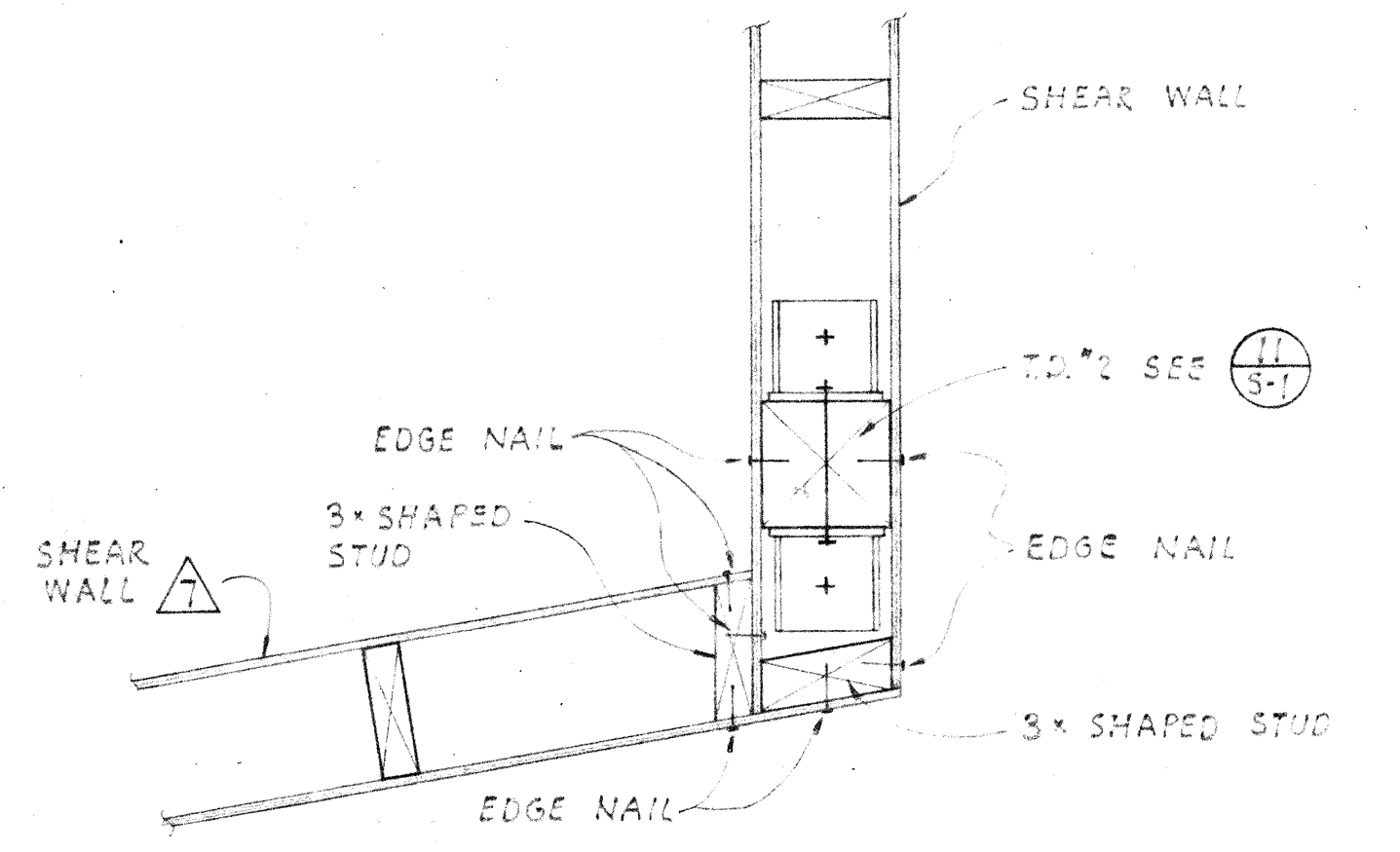
TYPICAL TRANSITION FROM SLOPING ROOF TO FLAT ROOF



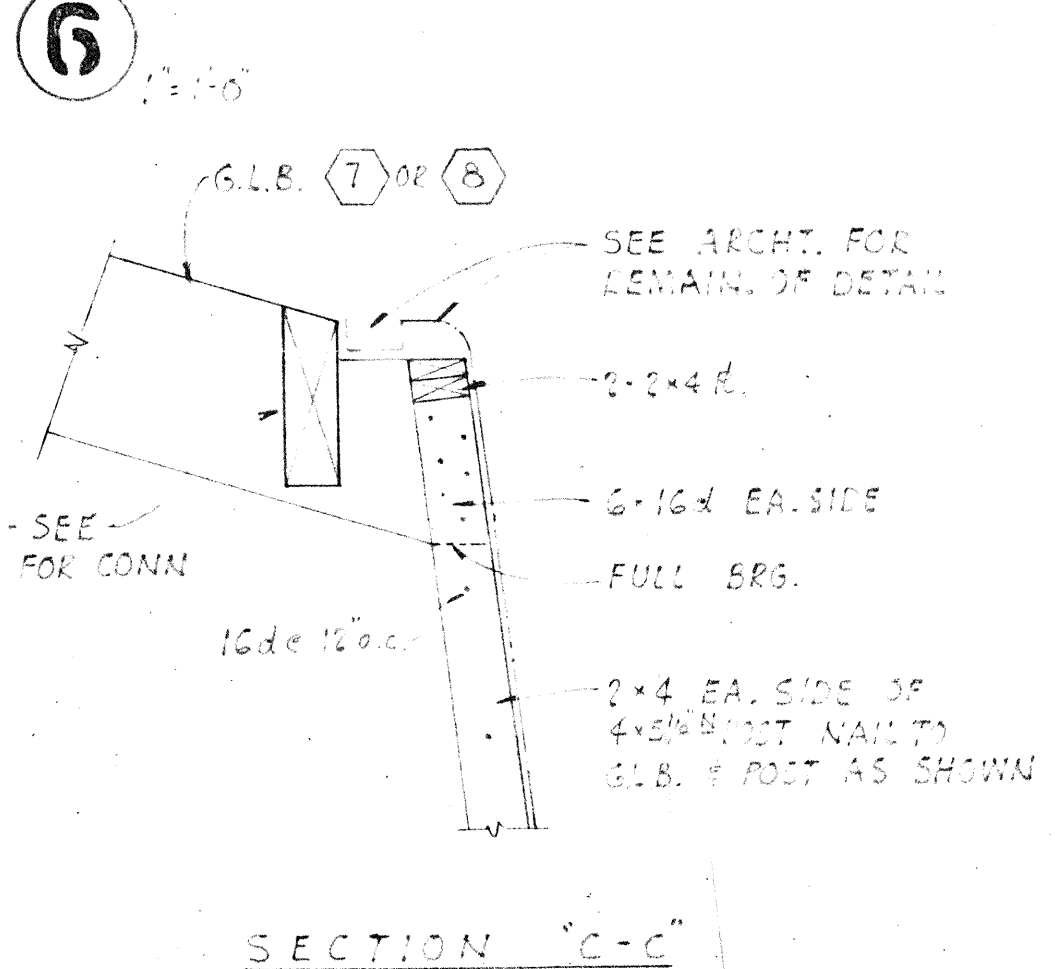
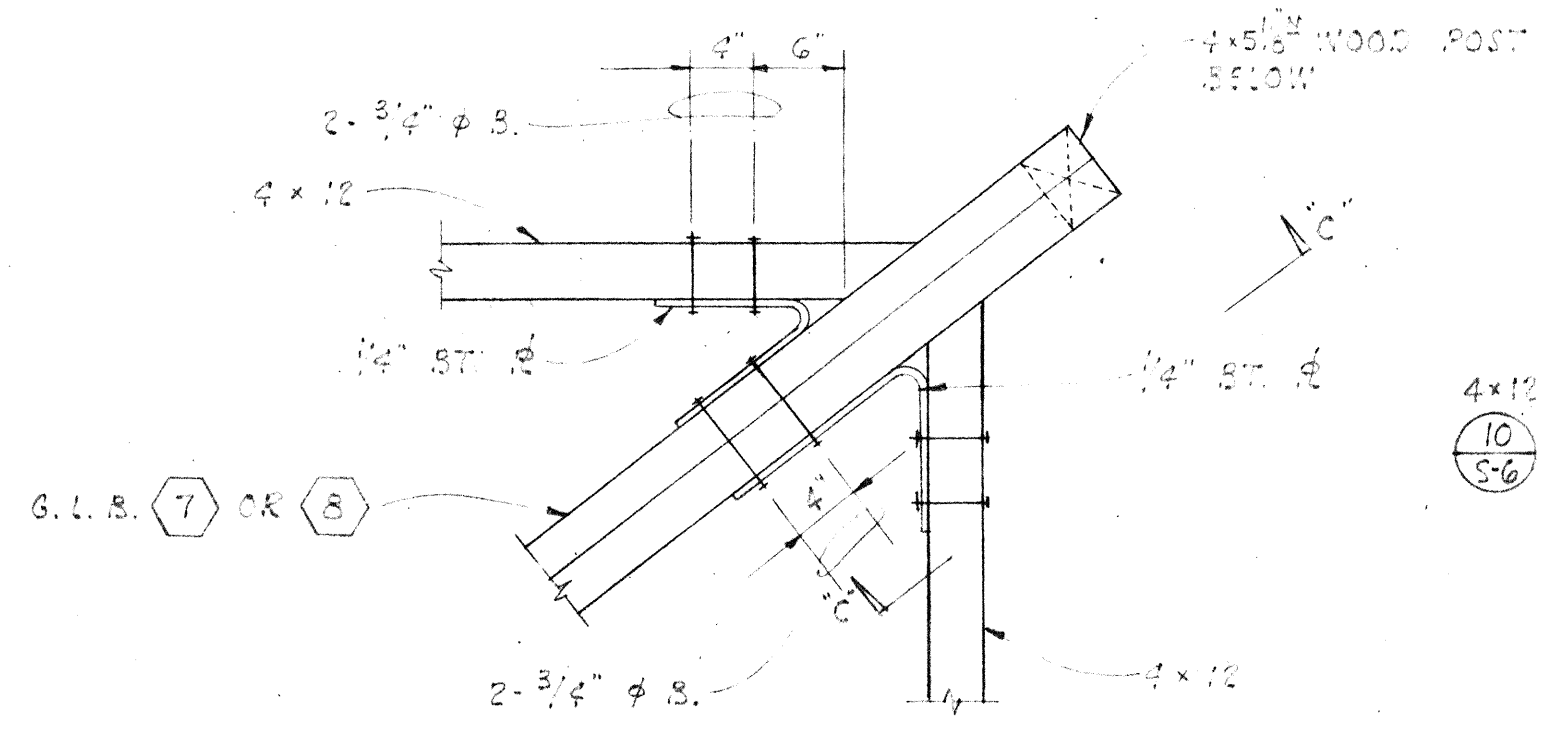
SPIRE DETAILS



SHEAR WALL INTERSECTION



SHEAR WALL AT PIPE COLUMN



SECTION C-C

NO.	REVISIONS